

Bullnose Splayed Corner Bead (CBBW) Metal Corner Bead

Splayed or off-angle bullnose is used to create a smooth rounded look to 135 degree corners. Bullnose adds contemporary styling and a sense of openness to any room. Bullnose bead is nailed, screwed or stapled in place and finished with joint compound. Splayed Bullnose is available with a galvanized finish conforming to ASTM C1047.

Product Data & Ordering Information

Material: 0.013 min thickness, galvanized coating
Dimensions: 1-1/4" leg x 1-1/4" leg x 3/4" Radius

Size (Radius)	Length	Wt./Ctn.	Pcs./Ctn.
3/4"	8'	52 lbs	50
3/4"	9'	53 lbs	45
3/4"	10'	52 lbs	40

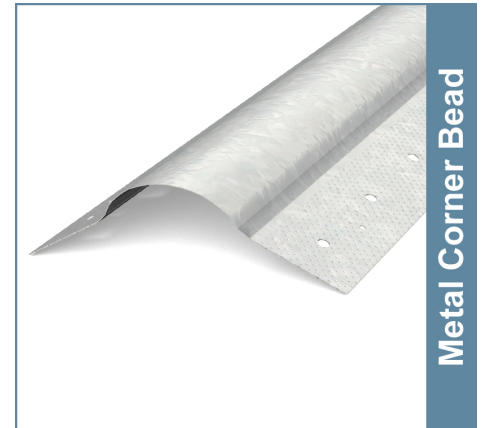
ASTM & Code Standards

- ASTM C1047
- SDS & Product Certification Information is available at www.clarkdietrich.com/SupportDocs

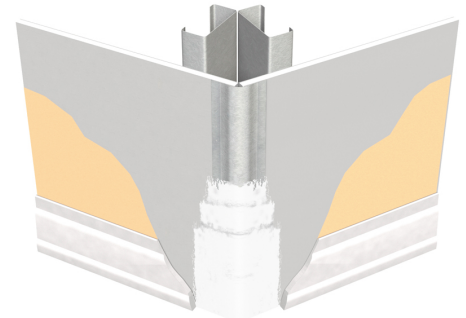
Storage

All stored materials shall be kept dry. Materials shall be stacked off the ground, supported on a level platform, and protected from the weather.

09.22.00 (Support for Plaster & Gypsum Board)



- Rugged steel construction
- Galvanized coating for corrosion protection and durability
- Knurled flanges and hole pattern allow for superior compound adhesion



Sustainability Credits:

For more details and LEED letters contact Technical Services at 888-437-3244 or visit www.clarkdietrich.com/LEED

LEED v4 MR Credit -- Building Product Disclosure and Optimization: EPD (1 point) - Sourcing of Raw Materials (1 point) - Material Ingredients (1 point) - Construction and Demolition Waste Management (up to 2 points) - Innovation Credit (up to 2 points).

LEED 2009 Credit MR 2 & MR 4 -- ClarkDietrich's steel products are 100% recyclable and have a minimum recycled content of 34.2% (19.8% post-consumer and 14.4% pre-consumer). If seeking a higher number to meet Credit MR 5, please contact us at (info@clarkdietrich.com / 888-437-3244)

Metal-CBBW © 10/2017 ClarkDietrich Building Systems

Project Information

Name:
Address:

Contractor Information

Name:
Contact:
Phone:
Fax:

Architect Information

Name:
Contact:
Phone:
Fax: