

KATZ™ Bridging Bar

Quick, efficient method to ladder frame between parallel joists or trusses

Katz™ bridging bar is specifically manufactured to ladder frame between parallel framing members and provide for the attachment of the top of the interior nonstructural walls when trusses or floor joists run parallel to the walls. Katz blocks are secured to the floor joists or roof trusses with screws or nails.

- Precut for 16" and 24" O.C. spacing
- Coped flanges for easy installation
- Eliminates wood blocking and labor-intensive notching of metal framing

Product Data & Ordering Information:

Material: Yield Strength: 33ksi Coating: G40
25ga (18mils), 0.0188" Design Thickness

Dimensions: Length: 16" and 24"
Width: 3-5/8" Standard
Legs: 5/8"

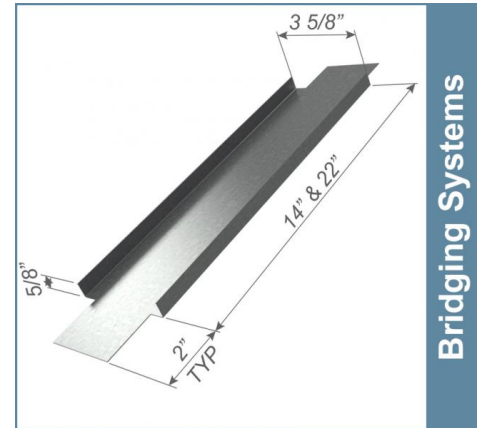
Code Approvals & Performance Standards:

AISI S220-15 North American Standard for CFS Framing - Nonstructural Members

- Section A4 - Material - Chemical & mechanical requirements (Referencing ASTM A1003 / A1003M)
- Section A5 - Corrosion Protection (Referencing ASTM A653 / A653M)
- Section C - Installation - (Referencing ASTM C754)

SDS & Product Certification Information is available at www.clarkdietrich.com/SupportDocs

05.40.00 (Cold-Formed Metal Framing)



Bridging Systems

Used in framing applications:

- Floor joists
- Roof trusses



Sustainability Credits For more details and LEED letters contact Technical Services at 888-437-3244 or visit clarkdietrich.com/LEED.

LEED v4.1 MR Credit: Environmental Product Declarations: EPD (1 point) - Sourcing of Raw Materials (up to 2 points) - Material Ingredients (1 point) - Construction and Demolition Waste Management (up to 2 points)

LEED v4 MR Credit: Building Product Disclosure and Optimization: EPD (1 point) - Sourcing of Raw Materials (1 point) - Material Ingredients (1 point) - Construction and Demolition Waste Management (up to 2 points) - Innovation Credit (up to 2 points).

Project Information

Name:
Address:

Contractor Information

Name:
Contact:
Phone:
Fax:

Architect Information

Name:
Contact:
Phone:
Fax: