

## 6" Universal Bypass Clip (UBC6-97) 68mils (14ga) Rigid or Deflection Connection Clip

ClarkDietrich's Universal Bypass Clip is used to attach exterior wall studs to the structure of the building and provided either a rigid OR deflection connection. Designed to transfer horizontal and/or vertical loads, the Universal Bypass Clips install easily with screws, powder-actuated fasteners, or welds. This clip is ideal for all medium and large standoff conditions.

### For a Rigid Connections

Attach the Universal Bypass Clip to cold-formed steel framing members using (6) #10-16 minimum self-drilling screws (not included) for the 14ga clip and (6) #12-14 minimum self-drilling screws (not included) for the 12ga clip through the clip holes into the steel framing.

### For a Deflection Connection

Attach the Universal Bypass Clip to the cold-formed steel framing using (3) #14 Proprietary HD Deflection Screws (included) through the (3) slotted holes and positioned to allow for the appropriate building deflection. For allowable loads for multiple connection options, reference the Clip & Connector Catalog or [www.clarkdietrich.com/UBC](http://www.clarkdietrich.com/UBC) for more information.

### Product Data & Ordering Information:

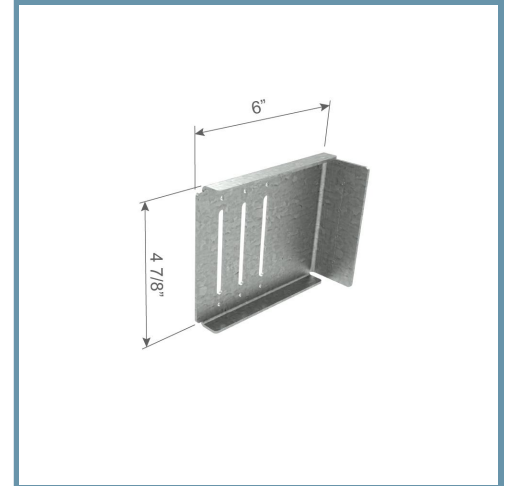
|                        |   |
|------------------------|---|
| <b>Material:</b>       | Structural Grade 50 Type H (ST50H), 50ksi (340 MPa)                   |
| <b>Coating:</b>        | G90 (Z275) hot-dipped galvanized coating                              |
| <b>Thickness:</b>      | 68mils (14ga)<br>0.1017 Design thickness<br>0.0966" Minimum thickness |
| <b>Dimensions:</b>     | 1-7/8" x 6" x 4-7/8" (47.6mm x 152.4mm x 124mm)                       |
| <b>Packaging:</b>      | 25 pieces per bucket  |
| <b>Product Weight:</b> | 1.32 lb / piece   |

### Code Approvals & Performance Standards

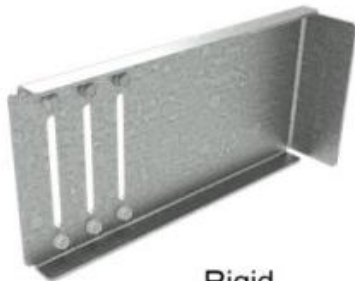
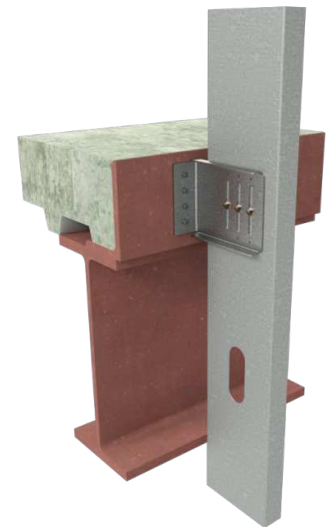
- [ASTM A653](#) Standard Specification for Steel Sheet, Zinc-Coated (Galvanized) or Zinc-Iron Alloy-Coated (Galvannealed) by the Hot-Dip Process
- [ASTM A1003](#) Standard Specification for Steel Sheet, Carbon, Metallic- and Nonmetallic-Coated for Cold-Formed Framing Members
- [Intertek CCRR-0208](#) FastClip (FCSC) (FCEC) & Universal Bypass Clip (UBC)
- [SFIA Connector](#) Code Compliance Certification Program
- [SDS For ASTM A1003 Steel Framing Products](#) For Interior Framing, Exterior Framing and Clips/Accessories

**Sustainability Credits** For more details and LEED letters contact Technical Services at 888-437-3244 or visit [clarkdietrich.com/LEED](http://clarkdietrich.com/LEED).

- **LEED v4.1 MR Credit:** Environmental Product Declarations: EPD (1 point) - Sourcing of Raw Materials (up to 2 points) - Material Ingredients (1 point) - Construction and Demolition Waste Management (up to 2 points)
- **LEED v4 MR Credit:** Building Product Disclosure and Optimization: EPD (1 point) - Sourcing of Raw Materials (1 point) - Material Ingredients (1 point) - Construction and Demolition Waste Management (up to 2 points) - Innovation Credit (up to 2 points).



- Designed to transfer large horizontal or vertical loads
- Universal multi-application connector
- Ideal for medium and large standoff conditions



Rigid  
Connection



Deflection  
Connection



Proprietary  
HD Deflection Screw

\*\*\* UBC Clip can be installed as a rigid connection only OR deflection connection only \*\*\*