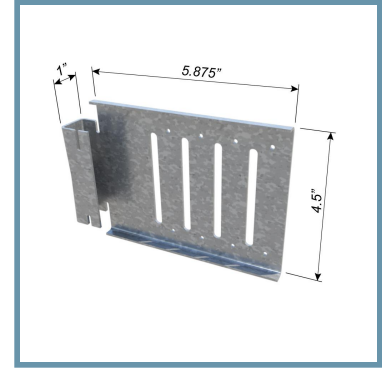


## Drift Clip (DRC6-97) for 6" Studs 12GA (97mil) Vertical / Lateral Deflection and/or Rigid Attachment

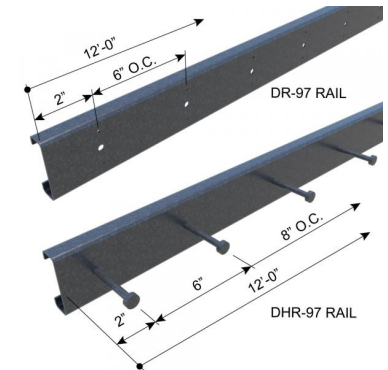
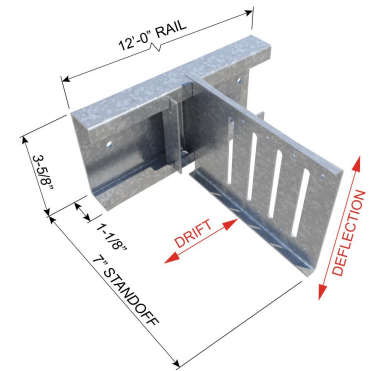
ClarkDietrich Drift Rail Clip 97 mil (12ga) is a uniquely designed two-piece system that is used to attach curtain-wall studs to the building structure and allows for vertical and lateral movement or to be rigidly attached. The clip utilizes a C-Shaped Drift Rail and distinctively designed Drift Rail Clip that rotates into position for easy installation. The Drift Rail is available for mechanically anchored (DR-97) or cast-in-place (DHR-97) installations. The multifaceted Drift Rail Clips use Proprietary Deflection Screws for attachment to the wall studs and allows for 3" vertical deflection (1-1/2" up and down) and is also designed with 1/8" holes to rigidly attach wall studs. To restrict clip lateral movement (drift) along the Drift Rail, install one of the two optional drift stop locking clips (DRLA or DRLC).

### Product Data & Ordering Information:

<b>Material</b>	Structural Grade 50 Type H (ST50H), 50ksi (340 MPa)
<b>Rail Thickness</b>	12ga (97mil), 0.1017" Design thickness, 0.0966" Min. thickness
<b>Clip Thickness</b>	12ga (97mil), 0.1017" Design thickness, 0.0966" Min. thickness
<b>Coating</b>	G90 (Z275) hot-dipped galvanized coating
<b>Clip Dimensions</b>	1" x 4-1/2" x 5-7/8" (25.4mm x 114.3mm x 203.2mm)
<b>Rail Dimensions</b>	1-1/8" x 3-5/8" x 12'-0" long (28.6mm x 92.1mm x 3.658m)
<b>Assembly Standoff</b>	7" (177.8mm)
<b>Stop Clip Dimensions:</b>	DRLA = 7/8" x 1" x 1" (21.8mm x 25.4mm x 25.4mm) DRLC = 7/8" x 1" x 3-5/8" (21.8mm x 25.4mm x 92.5mm)
<b>Clip Packaging</b>	25 clips per box. (Includes 80 proprietary deflection screws per box)
<b>Rail Packaging</b>	12' rail is individually packaged
<b>Stop Clip Packaging</b>	100 stop clips per bucket
<b>Product weight</b>	Clip = 1.26 lbs DR-97 Rail = 25.21 lbs DHR-97 Rail = 29 lbs



- Vertical movement up to 3" (1-1/2" up and down)
- Proprietary Deflection Screws (included) provide frictionless slip connection
- Rigid attachment to studs with #10-16 screws



### Code Approvals & Performance Standards

- [ASTM A653](#) Standard Specification for Steel Sheet, Zinc-Coated (Galvanized) or Zinc-Iron Alloy-Coated (Galvannealed) by the Hot-Dip Process
- [ASTM A1003](#) Standard Specification for Steel Sheet, Carbon, Metallic- and Nonmetallic-Coated for Cold-Formed Framing Members
- [SDS For ASTM A1003 Steel Framing Products](#) For Interior Framing, Exterior Framing and Clips/Accessories

