

## METAL FURRING CHANNEL CLIPS (MFCC)

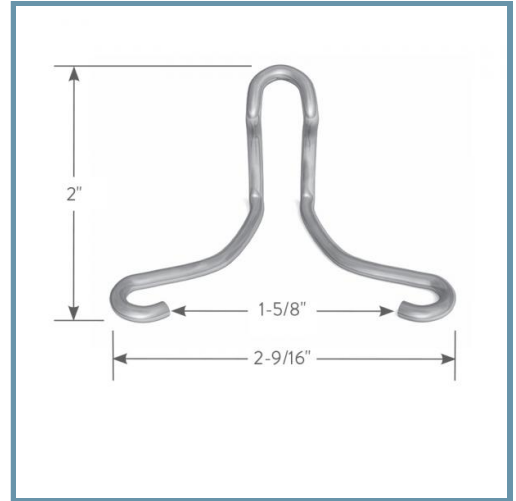
**Quickly facilitates the attachment of metal furring channel to 1-1/2" U-Channel in ceiling assemblies**

Metal Furring Channel Clips are made of galvanized wire and used to attach Metal Furring Channels to 1-1/2" U-channels in [Drop Ceiling Assemblies](#). Clips must be installed on alternating sides of the 1-1/2" channels. Use tie wire when clips cannot be alternated.

Clips should only be used when single-layer gypsum or single-layer veneer plaster base is used.

Clip is designed for a working load of 50 pounds; the test results indicated a factor of safety of 4. Each clip was found to support an ultimate load of 200 pounds prior to separation from the carrying channel used.

ClarkDietrich U-Channels are used in drop ceiling assemblies by suspending them from the overhead structure using hanger wire. Drywall furring channel is commonly clipped with metal furring channel clips or wire-tied perpendicular to the underside of the U-Channel at appropriate intervals for screw-attaching drywall. Assemblies are installed per the project specification or ASTM C 754 requirements.



### Product Data & Ordering Information:

<b>Material:</b>	0.134" dia. galvanized wire
<b>Coating:</b>	Regular zinc coating (galvanized)
<b>Dimensions:</b>	2" x 2-9/16"
<b>Shipping:</b>	500 pieces per box

### Recommended Design Load

Product code	Diameter	Approx. breaking strength*	Max. recommended load**
MFCC	0.134"	200 lbs	50 lbs

\* Approximate Breaking Strength (Ultimate lbs. without safety factor)

- Recommended Safety Factor = 1/4

\*\* Max. Recommended Load is for each clip recommended for suspension



### Code Approvals & Performance Standards

- [ASTM A641](#) Standard Specification for Zinc-Coated (Galvanized) Carbon Steel Wire
- [ASTM C754](#) Standard Specification for Installation of Steel Framing Members to Receive Screw-Attached Gypsum Panel Products

### Related Accessories:

- [FURRING CHANNEL / HAT CHANNEL](#)
- [U-CHANNEL](#)
- [HANGER WIRE & TIE WIRE](#)



**Sustainability Credits** For more details and LEED letters contact Technical Services at 888-437-3244 or visit [clarkdietrich.com/LEED](http://clarkdietrich.com/LEED).

- **LEED v4.1 MR Credit:** Environmental Product Declarations: EPD (1 point) - Sourcing of Raw Materials (up to 2 points) - Material Ingredients (1 point) - Construction and Demolition Waste Management (up to 2 points)
- **LEED v4 MR Credit:** Building Product Disclosure and Optimization: EPD (1 point) - Sourcing of Raw Materials (1 point) - Material Ingredients (1 point) - Construction and Demolition Waste Management (up to 2 points) - Innovation Credit (up to 2 points).