

## #66N Short Flange Casing Bead (SFCB)

### Short flange casing bead to terminate stucco or plaster edge

Used as a stucco/plaster stop to provide a screed edge and protective finish trim while terminating plaster in a clear, straight line at windows, doors, and other openings.

The #66N is recommended as a divider at the edge between plaster and other dissimilar materials. When used in conjunction with metal lath, the 66N is installed under the lath.

The #66N short flange is used under regular corner reinforcement conditions where an expanded flange is not required. Available with or without weep holes. Also available in zinc alloy.

Galvanized steel products should not be used with magnesium oxychloride cement stucco or Portland cement stucco containing calcium chloride additives. The selection of the appropriate type of material for accessories shall be determined by the surrounding climatic and environmental conditions such as salt air, high humidity, and industrial pollution.

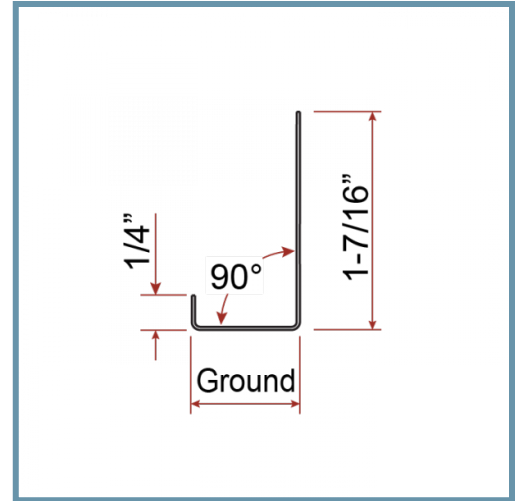
### Product Data & Ordering Information:

**Material:** 26 Gauge, G-60 Hot-Dipped Galvanized Steel.

Also available in 99.97% pure Zinc, compliant with ASTM B69

**Dimensions:** 3/8" to 1-1/4" Grounds, 10' lengths

| Ground | Length | Pcs./Ctn. | Ft./Ctn. | Wt./Ctn. | Ctn./Skid |
|--------|--------|-----------|----------|----------|-----------|
| 3/8"   | 10'    | 30        | 300      | 46 lbs.  | 20        |
| 1/2"   | 10'    | 30        | 300      | 46 lbs.  | 20        |
| 3/4"   | 10'    | 30        | 300      | 49 lbs.  | 20        |
| 7/8"   | 10'    | 30        | 300      | 54 lbs.  | 20        |
| 1"     | 10'    | 30        | 300      | 56 lbs.  | 20        |
| 1-1/4" | 10'    | 30        | 300      | 60 lbs.  | 20        |



### Code Approvals & Performance Standards

- [ASTM A653](#) Standard Specification for Steel Sheet, Zinc-Coated (Galvanized) or Zinc-Iron Alloy-Coated (Galvannealed) by the Hot-Dip Process
- [ASTM C1063](#) Standard Specification for Installation of Lathing and Furring to Receive Interior and Exterior Portland Cement-Based Plaster
- [ASTM C1861](#) Standard Specification for Lathing and Furring Accessories, and Fasteners, for Interior and Exterior Portland Cement-Based Plaster
- [SDS For ASTM A653 Steel Finishing Products](#) For Interior Finishing and Exterior Finishing

### Storage:

All stored materials shall be kept dry. Materials shall be stacked off the ground, supported on a level platform, and protected from the weather and surface contamination conforming to ASTM C1063.

### Limitations:

Galvanized steel products should not be used with magnesium oxychloride cement stucco or Portland cement stucco containing calcium chloride additives. The selection of the appropriate type of material for accessories shall be determined by the surrounding climatic and environmental conditions such as salt air, industrial pollution and high humidity.

