

## #36 Sill Screed (SI36)

### Exterior foundation sill screed

A variation of the #7 style screed which allows trowel access underneath the screed to clean excess stucco material. No visible metal is seen below the stucco line.

Installed at the juncture of the sill and exterior concrete foundation, or in similar areas, to allow trapped moisture to drain to the exterior of the building. Provides straight edge stops for applied plaster stucco and E.I.F.S. (Exterior Insulation Finishing Systems) with exacting grounds, as well as impact and splash protection at the bottom edge. Additionally, the #36 Sill Screed is ideal for wall to roof transitions.

The #36 style screed is manufactured in compliance with ASTM standards and has the minimum requirement of 26-gauge, G60 galvanized steel, and a 3-1/2" solid nailing flange.

#### Product Data & Ordering Information:

Material: 26 Gauge, G-60 Hot-Dipped Galvanized Steel  
 Dimensions: 3-1/2" Flange x 7/8" ground x 10' lengths

Ground	Flange	Length	Pcs./Bdl.	Pcs./Pallet	Wt./Pallet
7/8"	3-1/2"	10'	10	1000	2683

#### ASTM & Code Standards:

- ASTM C1063, CE 240.01 (exterior), ASTM C926, UBC, ML/SFA-920, the International Code Council IBC and IRC.
- All Expanded Metal Lath Accessories are fabricated from prime galvanized steel G60 zinc coating by the hot dipped method, conforming to steel and coating specification ASTM A-653/A-653M or zinc alloy meeting ASTM B-69 as required in ASTM C1063 and C847.
- SDS & Product Certification Information is available at [www.clarkdietrich.com/SupportDocs](http://www.clarkdietrich.com/SupportDocs)
- For installation and placement instructions refer to ASTM C1063, C841 and C926.

#### Storage:

All stored materials shall be kept dry. Materials shall be stacked off the ground, supported on a level platform, and protected from the weather and surface contamination conforming to ASTM C1063.

#### Limitations:

Galvanized steel products should not be used with magnesium oxychloride cement stucco or Portland cement stucco containing calcium chloride additives. The selection of the appropriate type of material for accessories shall be determined by the surrounding climatic and environmental conditions such as salt air, industrial pollution and high humidity.

#### Related Accessories:

- #7 7/8" Foundation Sill Screed
- #7 1-3/8" Foundation Sill Screed

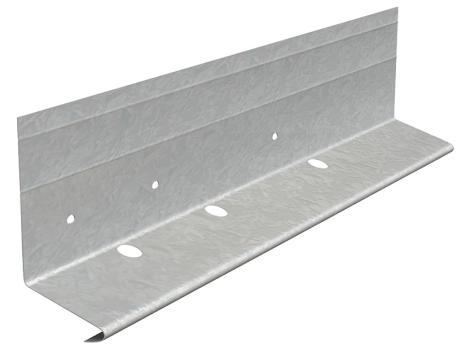
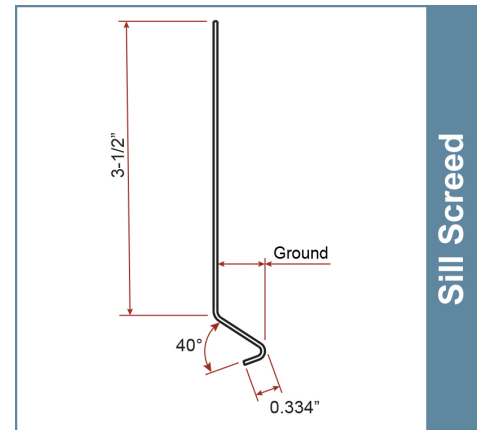
#### Sustainability Credits:

For more details and LEED letters contact Technical Services at 888-437-3244 or visit [www.clarkdietrich.com/LEED](http://www.clarkdietrich.com/LEED)

**LEED v4 MR Credit** -- Building Product Disclosure and Optimization: EPD (1 point) - Sourcing of Raw Materials (1 point) - Material Ingredients (1 point) - Construction and Demolition Waste Management (up to 2 points) - Innovation Credit (up to 2 points).

**LEED 2009 Credit MR 2 & MR 4** -- ClarkDietrich's steel products are 100% recyclable and have a national average recycled content of 34.2% (19.8% post-consumer and 14.4% pre-consumer). If seeking a higher number to meet Credit MR 5, please contact us at ([info@clarkdietrich.com](mailto:info@clarkdietrich.com) / 888-437-3244)

#### 09.22.36 (Metal Lath)



#### Project Information

Name:  
Address:

#### Contractor Information

Name:  
Contact:  
Phone:  
Fax:

#### Architect Information

Name:  
Contact:  
Phone:  
Fax: