

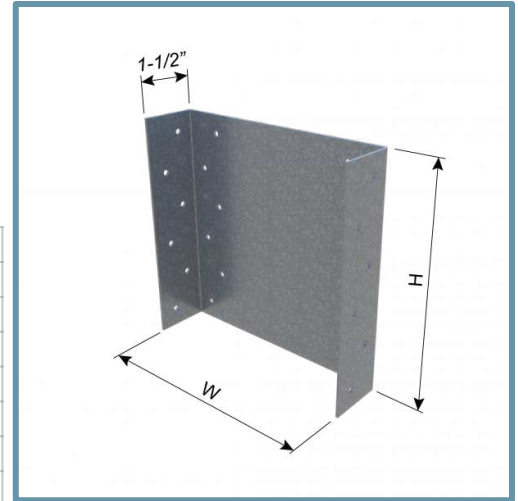
3-5/8" Box Header Clip - 362BHC6-54

Pre-Punched clip for box headers.

The Box Header Clip (BHC) is designed to eliminate field cutting metal track into sections. The BHC clip is pre-punched to promote a quick and accurate installation. It is available in a variety of sizes and thicknesses to accommodate different application requirements.

Product Data & Ordering Information:

| | |
|------------------------|---|
| Material: | 50 ksi |
| Coating: | G90 (Z275) hot-dipped galvanized coating |
| Thickness: | 54mils (16 ga) |
| | 0.0566" Design thickness 0.0538" Minimum thickness |
| Width (W): | 3-5/8" |
| Height (H): | 6" |
| Packaging: | 100 pcs / bucket |
| Product Weight: | 0.5824 lb / piece |

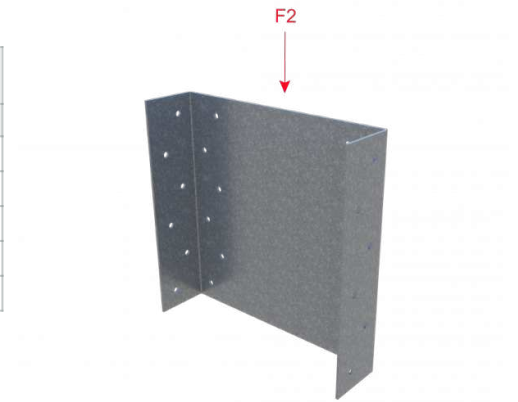


Allowable Loads:

| Head Gauge (ga) | F2 (lbs) Jamb Gauge | | | | |
|-----------------|------------------------|------|------|------|------|
| | 20ga | 18ga | 16ga | 14ga | 12ga |
| 20ga | 1717 | 1717 | 1717 | 1717 | 1717 |
| 18ga | 1717 | 2555 | 2555 | 2555 | 2555 |
| 16ga | 1717 | 2555 | 4533 | 4533 | 4533 |
| 14ga | 1717 | 2555 | 4533 | 4533 | 4533 |
| 12ga | 1717 | 2555 | 4533 | 4533 | 4533 |

Table Notes:

- Listed capacities are based on AISI S100-16 (2020) w/S2-20, North American Specification for Cold-Formed Steel Structural Members, AISI D114-21, Cold-Formed Steel Clip Angle Design Guide, and AISI Research Report RP18-4
- Capacities are based on #10-16 screws with an ultimate shear capacity of at least 1400 lbs.
- Capacities are based on placing #10-16 screws through all of the pre-punched holes in the connector to each side of the box header and #10-16 screws through all of the pre-punched holes in the connector to the jamb.
- Capacities are based on 20 ga. and 18 ga. 33 ksi material and 16 ga. and heavier 50 ksi material.



Code Approvals & Performance Standards

- [AISI S100-16 \(2020\) w/S2-20](#) North American Specification for the Design of Cold-Formed Steel Structural Members
- [AISI S240-20](#) North American Standard for Cold-Formed Steel Structural Framing
 - (Compliant to ASTM C955, but IBC replaced with AISI S200 in IBC 2015, AISI S240 in IBC 2018)
 - Section A3 Material - Chemical & mechanical requirements (Referencing ASTM A1003/A1003M)
 - Section A4 Corrosion Protection (Referencing ASTM A653/A653M)
 - Section C Installation - (Referencing ASTM C1007)
- [SDS For ASTM A1003 Steel Framing Products](#) For Interior Framing, Exterior Framing and Clips/Accessories

