

## ClarkDietrich Holdown (CD8-B)

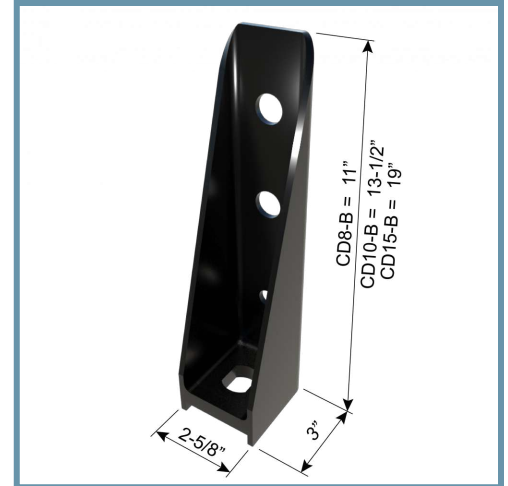
### 7 Gauge (179mil) 11" tall shearwall holdown with bolted connection to metal stud framing

ClarkDietrich Holdowns provide cost-effective shearwall attachment and are used to transfer tension loads between floors or from structural members to the foundation. Two-piece welded construction comes in three sizes for optimal performance. Installation is made easy with prepunched holes.

For allowable shear, tension and moment loads, see load tables at [www.clarkdietrich.com/Holdown](http://www.clarkdietrich.com/Holdown)

#### Product Data & Ordering Information:

<b>Bearing Plate Material:</b>	1/2" bearing plate - ASTM A36 steel
<b>Channel Material:</b>	179mils (7 Gauge) HSLAS-F GR 50 steel 0.188" Design thickness 0.1713" Minimum thickness
<b>Coating:</b>	Envirocron® Powder Coating
<b>Dimensions:</b>	2-5/8" x 3" x 11" Tall (66.7mm x 76.2mm x 279mm)
<b>Packaging:</b>	Packaged individually
<b>Product Weight:</b>	3.0 lb / piece



- 7/8" x 1-1/8" Anchor Hole
- Also available in 13-1/2" and 19"
- Cost-effective shearwall attachment

#### Code Approvals & Performance Standards

- [AISI S100-16 \(2020\) w/S2-20](#) North American Specification for the Design of Cold-Formed Steel Structural Members
- [ASTM A36](#) Standard Specification for Carbon Structural Steel
- [ASTM A1011](#) Standard Specification for Structural Steel
- [IRC R603.9.4.2](#) Reference section of the International Residential Code (IRC) for holdown requirements in residential applications. Consult the engineer of record for commercial applications.

#### Alternative Products:

- EasyClip™ T-Series™ Tall Anchor Clip

**Sustainability Credits** For more details and LEED letters contact Technical Services at 888-437-3244 or visit [clarkdietrich.com/LEED](http://clarkdietrich.com/LEED).

- **LEED v4.1 MR Credit:** Environmental Product Declarations: EPD (1 point) - Sourcing of Raw Materials (up to 2 points) - Material Ingredients (1 point) - Construction and Demolition Waste Management (up to 2 points)
- **LEED v4 MR Credit:** Building Product Disclosure and Optimization: EPD (1 point) - Sourcing of Raw Materials (1 point) - Material Ingredients (1 point) - Construction and Demolition Waste Management (up to 2 points) - Innovation Credit (up to 2 points).

