

Pony Wall Heavy 36" (PW36)

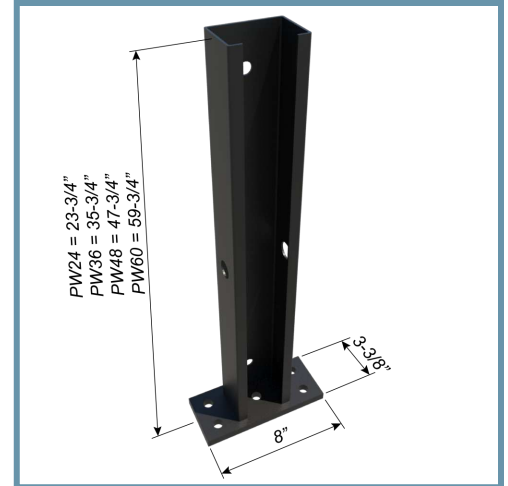
Partial wall framing connection to floor

ClarkDietrich Pony Wall Heavy is intended to support out-of-plane loading of cantilevered partial wall systems that are unsupported at the top track. Out-of-plane loads are transferred to the floor system through the base-plate, which is welded to the Pony Wall Heavy stud member.

For allowable loads and multiple connection options, reference the Clip & Connector Catalog or www.clarkdietrich.com/products/pony-wall for more information.

Product Data & Ordering Information:

Plate Material:	ASTM A36 1/2" thick hot rolled steel
Stud Material:	ASTM A1011 SS Grade 50, 50ksi (340 MPa) 97mils (12ga), 0.1017" Design thickness, 0.0966" Min. thickness
Coating:	Envirocron® Powder Coating
Plate Dimensions:	3-3/8" x 8" x 1/2" thick (92.1mm x 203.2mm x 12.7mm)
Stud Dimensions:	3-5/8" x 2-1/2" x 35-1/4" tall (92.1mm x 63.5mm x 895.4mm)
Packaging:	Individually
Product weight:	13.1 lb/piece



- Anchors wall to floor with 1/2" anchors

Code Approvals & Performance Standards

- [AISI S100-16 \(2020\) w/S2-20](#) North American Specification for the Design of Cold-Formed Steel Structural Members
- [ASTM A36](#) Standard Specification for Carbon Structural Steel
- [ASTM A1011](#) Standard Specification for Structural Steel

Sustainability Credits For more details and LEED letters contact Technical Services at 888-437-3244 or visit clarkdietrich.com/LEED.

- **LEED v4.1 MR Credit:** Environmental Product Declarations: EPD (1 point) - Sourcing of Raw Materials (up to 2 points) - Material Ingredients (1 point) - Construction and Demolition Waste Management (up to 2 points)
- **LEED v4 MR Credit:** Building Product Disclosure and Optimization: EPD (1 point) - Sourcing of Raw Materials (1 point) - Material Ingredients (1 point) - Construction and Demolition Waste Management (up to 2 points) - Innovation Credit (up to 2 points).

