

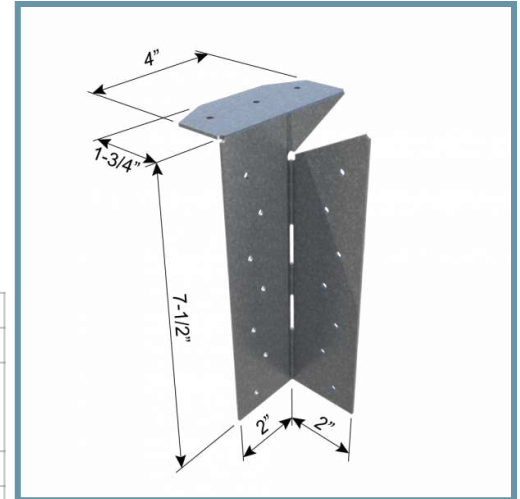
## Universal Joist Hanger (UJH-68) 68mils (14ga) Floor Joist Hanger

ClarkDietrich's Universal Joist Hangers (UJH) are used to connect joists to CFS headers (with screws, welds or PAF fasteners) and steel I-beams (with welds or PAF fasteners). The UJH is sized to fit joist sizes from 8" to 14" deep.

For allowable loads for multiple connection options, reference the Clip & Connector Catalog or [www.clarkdietrich.com/products/universal-joist-hanger-ujh](http://www.clarkdietrich.com/products/universal-joist-hanger-ujh) for more information.

### Product Data & Ordering Information:

<b>Material:</b>	Structural Grade 50 Type H (ST50H), 50ksi (340 MPa)
<b>Coating:</b>	G90 (Z275) hot-dipped galvanized coating
<b>Thickness:</b>	68mils (14ga) 0.0713" Design thickness 0.0677" Minimum thickness
<b>Dimensions:</b>	4" x 7-1/2" long (101.6mm x 190.5mm)
<b>Packaging:</b>	50 pieces per bucket
<b>Product Weight:</b>	0.72 lb / piece



- Available in 68mils (14ga) or 97mils (12ga)
- Fits Joists Sizes From 8" to 14"

### Code Approvals & Performance Standards

- **ASTM A653** Standard Specification for Steel Sheet, Zinc-Coated (Galvanized) or Zinc-Iron Alloy-Coated (Galvannealed) by the Hot-Dip Process
- **ASTM A1003** Standard Specification for Steel Sheet, Carbon, Metallic- and Nonmetallic-Coated for Cold-Formed Framing Members
- **SDS For ASTM A1003 Steel Framing Products** For Interior Framing, Exterior Framing and Clips/Accessories

**Sustainability Credits** For more details and LEED letters contact Technical Services at 888-437-3244 or visit [clarkdietrich.com/LEED](http://clarkdietrich.com/LEED).

- **LEED v4.1 MR Credit:** Environmental Product Declarations: EPD (1 point) - Sourcing of Raw Materials (up to 2 points) - Material Ingredients (1 point) - Construction and Demolition Waste Management (up to 2 points)
- **LEED v4 MR Credit:** Building Product Disclosure and Optimization: EPD (1 point) - Sourcing of Raw Materials (1 point) - Material Ingredients (1 point) - Construction and Demolition Waste Management (up to 2 points) - Innovation Credit (up to 2 points).

