

## TradeReady® Structural Bridging (TDSB)

**Provides a quick and efficient method to prevent joist rotation**

TradeReady® structural bridging is the third component of the TradeReady® steel floor system. Structural bridging is pre-cut to fit securely between the underside of the floor joists to prevent joist rotation. Structural bridging is an economical alternative to cross bracing, X-bracing or strapping. A continuous row of bridging should be installed every 8' O.C. maximum and staggered for easy attachment. Pre-punched holes for quick attachment.

- Pre-cut to fit 12", 16", 19.2" or 24" spacing.
- Pre-punched holes for quick attachment.
- Available in 18 gauge only.

**Caution:** In order to prevent joist rolling, the TDSB Bridging must be tied into the structure or otherwise braced against lateral movement.

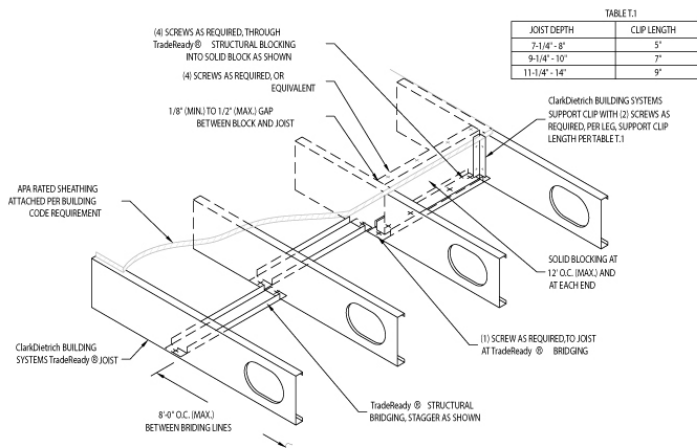
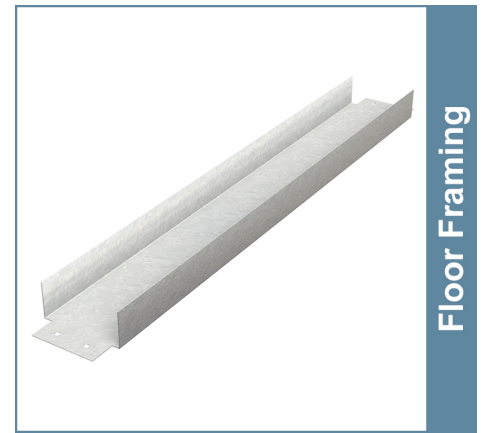
**Note:** TDSB Bridging is not required if sheathing is applied to the joists top and bottom.

### Product Data & Ordering Information:

Product Code	Gauge (mils)	Depth	Effective Length	Weight	Packaging
TDSB 12"	18 (43)	2-1/2"	12"	0.88 lbs	10 pcs./Carton
TDSB 16"	18 (43)	2-1/2"	16"	1.40 lbs	10 pcs./Carton
TDSB 19.2"	18 (43)	2-1/2"	19.2"	1.66 lbs	10 pcs./Carton
TDSB 24"	18 (43)	2-1/2"	24"	2.10 lbs	10 pcs./Carton

U.S. Patent Nos. 6,301,854; 6,691,478; 6,418,694; 6,691,487; 6,761,005; 7,240,459  
 Canadian Patent No. 2319346, Mexican Patent No. 243294

### 05.40.00 (Cold-Formed Metal Framing)



### TradeReady STRUCTURAL BRACING DETAIL

ClarkDietrich TradeReady Floor Joist System

For more ClarkDietrich CAD details  
 see: [cad.clarkdietrich.com](http://cad.clarkdietrich.com)

### Sustainability Credits:

For more details and LEED letters contact Technical Services at 888-437-3244 or visit [www.clarkdietrich.com/LEED](http://www.clarkdietrich.com/LEED)

**LEED v4 MR Credit** -- Building Product Disclosure and Optimization: EPD (1 point) - Sourcing of Raw Materials (1 point) - Material Ingredients (1 point) - Construction and Demolition Waste Management (up to 2 points) - Innovation Credit (up to 2 points).

**LEED 2009 Credit MR 2 & MR 4** -- ClarkDietrich's steel products are 100% recyclable and have a national average recycled content of 34.2% (19.8% post-consumer and 14.4% pre-consumer). If seeking a higher number to meet Credit MR 5, please contact us at ([info@clarkdietrich.com](mailto:info@clarkdietrich.com) / 888-437-3244)

#### Project Information

Name:  
 Address:

#### Contractor Information

Name:  
 Contact:  
 Phone:  
 Fax:

#### Architect Information

Name:  
 Contact:  
 Phone:  
 Fax: