

07.24.00 (Exterior Insulation & Finish Systems)

DEFS Starter Strip with Weep Holes

Designed to protect the raw edges of the board in Direct-Applied Exterior Finish Systems

Standard DEFS base support starter strip or as a perimeter casing bead with weep holes to direct moisture away from the substrate. Two rows of large perforations allow the base coat mixture to easily flow through and bond to the substrate.

Applications: DEFS
****

Product Data & Ordering Information:

Product Code	Finish Thickness	Insulation Thickness (A)	Back Flange (B)	Perforated Flange (C)	PCS/Box
DE/CS50-16W	1/16"	1/2"	1-3/4"	5/8"	50
DE/CS58-16W	1/16"	5/8"	1-3/4"	5/8"	50

U.S. Patent Number 5,970,671 and 6,134,847

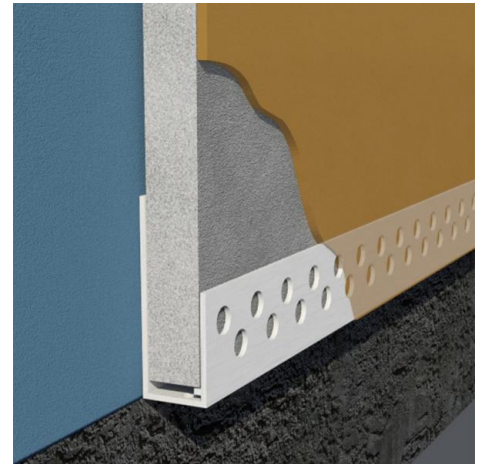
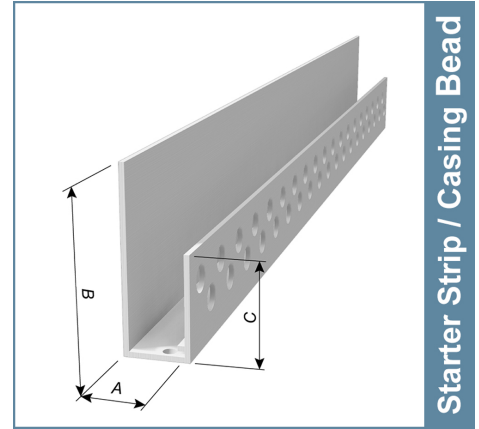
ASTM & Code Standards

Product Specifications

- ASTM D1784 - Standard Classification System and Basis for Specification for Rigid Poly(Vinyl Chloride) (PVC) Compounds and Chlorinated Poly(Vinyl Chloride) (CPVC) Compounds
- ASTM D4216 (Cell class 13244C) - Standard Specification for Rigid Poly(Vinyl Chloride) (PVC) and Related PVC and Chlorinated Poly(Vinyl Chloride) (CPVC) Building Products Compounds
- ASTM D638 - Standard Test Methods for Tensile Properties of Plastics
- ASTM D790 - Standard Test Methods for Flexural Properties of Unreinforced and Reinforced Plastics and Electrical Insulating Materials
- ASTM D256 - Standard Test Methods for Determining the Izod Pedulum Impact Resistance of Plastics
- ASTM D648 - Standard Test Methods for Deflection Temperature of Plastics Under Flexural Load in the Edgewise Position
- ASTM D696 - Standard Test Methods for Coefficient of Linear Thermal Expansion of Plastics Between -30 Degrees Celsius and 30 Degrees Celsius Vitreous Silica Dilatometer
- SDS & Product Certification Information is available at www.clarkdietrich.com/SupportDocs

Storage:

All stored materials shall be kept dry. Materials shall be stacked off the ground, supported on a level platform, and protected from the weather.



Project Information

Name:
 Address:

Contractor Information

Name:
 Contact:
 Phone:
 Fax:

Architect Information

Name:
 Contact:
 Phone:
 Fax: