

"F" Channel Reveals

Forms 1/2" to 2" reveals in wall and ceiling designs

Used at the juncture of dissimilar materials.

Product Data & Ordering Information:

Product Code	Ground (A)	Reveal (B)	Overall width (C)	PCS/Box
FCS25-50	1/4"	1/2"	1-3/8"	50
FCS38-50	3/8"	1/2"	1-3/8"	35
FCS50-50	1/2"	1/2"	1-3/8"	35
FCS58-50	5/8"	1/2"	1-3/8"	25
FCS75-50	3/4"	1/2"	1-3/8"	25
FCS78-50	7/8"	1/2"	1-3/8"	25
FCS100-50	1"	1/2"	1-3/8"	20

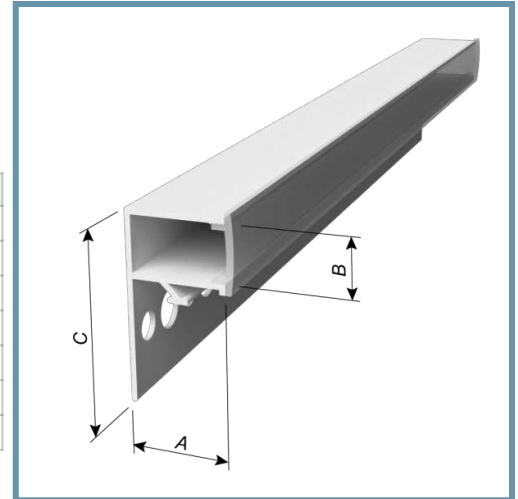
Note: All with removable caps (except 1/4" and 3/8" grounds and 2-1/2", 3" and 4" reveals. All with connector clips (except 1/4" grounds).

Code Approvals & Performance Standards

- [ASTM C1063](#) Standard Specification for Installation of Lathing and Furring to Receive Interior and Exterior Portland Cement-Based Plaster
- [ASTM C1861](#) Standard Specification for Lathing and Furring Accessories, and Fasteners, for Interior and Exterior Portland Cement-Based Plaster
- [ASTM D1784](#) Standard Classification System and Basis for Specification for Rigid Poly(Vinyl Chloride) (PVC) Compounds and Chlorinated Poly(Vinyl Chloride) (CPVC) Compounds
- [ASTM D4216](#) Standard Specification for Rigid Poly(Vinyl Chloride) (PVC) and Related PVC and Chlorinated Poly(Vinyl Chloride) (CPVC) Building Products Compounds
- [SDS Vinyl Corp](#) PVC Compounds

Storage

All stored materials shall be kept dry. Materials shall be stacked off the ground, supported on a level platform, and protected from the weather.



Made in white or these standard thru-body colors:

Tan Brown Gray Black

Contact ClarkDietrich for pricing and availability

