

Medium Duty Joist and Truss Hangers

CDAHU

CDAHU is a face-mount hanger designed for wood plate trusses and heavily loaded members. 2-3/4" seat dimension.

Product Data & Ordering Information:

Material	Structural Grade 50 Type H (ST50H), 50ksi (340 MPa)
Coating	G90 (Z275) hot-dipped galvanized coating (G185 available)
Thickness	18ga (43mil), 0.0451" Design thickness, 0.0428" Minimum thickness

Joist and Truss Sizes	Available for single, double and 4xs
------------------------------	--------------------------------------

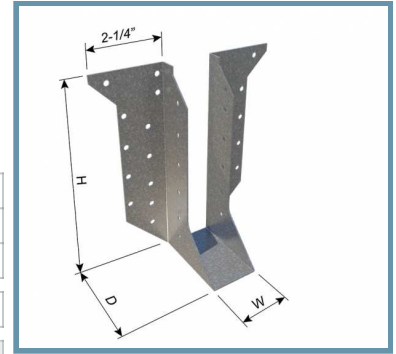
Product Code	Clear Width	Overall Height	Overall Depth	Weight (lbs/pc)	Pcs/Ctn
CDAHU26	1-9/16"	5-1/2"	2-3/4"	0.47	50
CDAHU28	1-9/16"	6-1/2"	2-3/4"	0.55	25
CDAHU210	1-9/16"	8-1/2"	2-3/4"	0.69	20
CDAHU26-2	3-7/16"	5-1/2"	2-3/4"	0.53	25
CDAHU46	3-9/16"	5-1/2"	2-3/4"	0.54	15

Code Approvals & Performance Standards

- [ASTM A653](#) Standard Specification for Steel Sheet, Zinc-Coated (Galvanized) or Zinc-Iron Alloy-Coated (Galvannealed) by the Hot-Dip Process
- [ASTM A1003](#) Standard Specification for Steel Sheet, Carbon, Metallic- and Nonmetallic-Coated for Cold-Formed Framing Members
- [ICC-ES ESR-5062](#) Evaluation report for joist hangers
- [SDS For ASTM A1003 Steel Framing Products](#) For Interior Framing, Exterior Framing and Clips/Accessories

Sustainability Credits For more details and LEED letters contact Technical Services at 888-437-3244 or visit clarkdietrich.com/LEED.

- **LEED v4.1 MR Credit:** Environmental Product Declarations: EPD (1 point) - Sourcing of Raw Materials (up to 2 points) - Material Ingredients (1 point) - Construction and Demolition Waste Management (up to 2 points)
- **LEED v4 MR Credit:** Building Product Disclosure and Optimization: EPD (1 point) - Sourcing of Raw Materials (1 point) - Material Ingredients (1 point) - Construction and Demolition Waste Management (up to 2 points) - Innovation Credit (up to 2 points).



Truss and Rafters
06.00.00 (Wood, Plastics and Composites)
Allowable Loads (lbs)
Spruce Pine-Fir (0.42 Specific Gravity)

Product Code	Gauge	Overall Dimensions (in)			Fasteners				Allowable Loads (lbs)			
		Width	Height	Depth	Joist Size	Joist Qty.	Wall Plate Size	Wall Plate Qty.	Downward			Uplift
									C _D =1.00	C _D =1.15	C _D =1.25	C _D =1.60
CDAHU26	18	1-9/16	5-1/2	2-3/4	10d x 1-1/2	8	16d Comm	24	2560	2585	2585	1000
CDAHU28	18	1-9/16	6-1/2	2-3/4	10d x 1-1/2	12	16d Comm	24	2875	3140	3265	1605
CDAHU210	18	1-9/16	8-1/2	2-3/4	10d x 1-1/2	16	16d Comm	24	2875	3305	3595	2575
CDAHU26-2	18	3-7/16	5-1/2	2-3/4	10d Comm	8	16d Comm	24	2590	2590	2590	1000
CDAHU46	18	3-9/16	5-1/2	2-3/4	10d Comm	8	16d Comm	24	2590	2590	2590	1000

Douglas Fir-Larch (0.50 Specific Gravity)

Product Code	Gauge	Overall Dimensions (in)			Fasteners				Allowable Loads (lbs)			
		Width	Height	Depth	Joist Size	Joist Qty.	Wall Plate Size	Wall Plate Qty.	Downward			Uplift
									C _D =1.00	C _D =1.15	C _D =1.25	C _D =1.60
CDAHU26	18	1-9/16	5-1/2	2-3/4	10d x 1-1/2	8	16d Comm	24	3075	3075	3075	1190
CDAHU28	18	1-9/16	6-1/2	2-3/4	10d x 1-1/2	12	16d Comm	24	3350	3850	4030	1910
CDAHU210	18	1-9/16	8-1/2	2-3/4	10d x 1-1/2	16	16d Comm	24	3350	3850	4185	3000
CDAHU26-2	18	3-7/16	5-1/2	2-3/4	10d Comm	8	16d Comm	24	3075	3075	3075	1190
CDAHU46	18	3-9/16	5-1/2	2-3/4	10d Comm	8	16d Comm	24	3075	3075	3075	1190

Southern Pine (0.55 Specific Gravity)

Product Code	Gauge	Overall Dimensions (in)			Fasteners				Allowable Loads (lbs)			
		Width	Height	Depth	Joist Size	Joist Qty.	Wall Plate Size	Wall Plate Qty.	Downward			Uplift
									C _D =1.00	C _D =1.15	C _D =1.25	C _D =1.60
CDAHU26	18	1-9/16	5-1/2	2-3/4	10d x 1-1/2	8	16d Comm	24	3345	3345	3345	1290
CDAHU28	18	1-9/16	6-1/2	2-3/4	10d x 1-1/2	12	16d Comm	24	3635	4085	4235	2060
CDAHU210	18	1-9/16	8-1/2	2-3/4	10d x 1-1/2	16	16d Comm	24	3635	4180	4540	3075
CDAHU26-2	18	3-7/16	5-1/2	2-3/4	10d Comm	8	16d Comm	24	3345	3345	3345	1290
CDAHU46	18	3-9/16	5-1/2	2-3/4	10d Comm	8	16d Comm	24	3345	3345	3345	1290

Notes:

For SI: 1 inch = 25.4 mm,

1 pound (lb) = 4.45 N

1 See images for hanger dimension definitions of W, H, and D.

2 Refer to Section 3.2.3 of ESR-5062 for nail sizes and the required minimum physical properties.

3 The tabulated allowable loads have been adjusted for the load duration factors, C_D, as shown, in accordance with the NDS. The tabulated allowable loads do not apply to loads of other load durations, and are not allowed to be adjusted for other load durations. See Sections 4.1 and 4.2 of ESR-5062 for additional design and installation requirements.

4 The tabulated allowable loads are for installations on wood members complying with Section 3.2.1 of the ESR-5062 report. Wood members must also have a reference compressive perpendicular to grain design value, F_c-perp, respectively for the wood species noted in the table.

5 The tabulated allowable uplift loads have been increased for wind and seismic loading with no further increase is allowed. The tabulated allowable uplift loads must be reduced when other load duration govern.

6 CDAHU hangers have a torsional moment capacity rating of 75 pounds (334 N) times the depth of the joist at which the lateral movement of either the top or bottom of the joist with respect to the original vertical position of the joist is 0.125 inch (3.2mm).