

Light and Medium Framing Angle

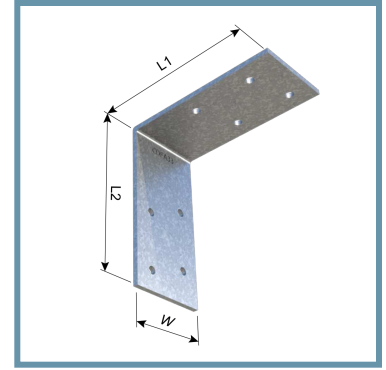
CDFA33

CDFA's provide fast, accurate bolting of two intersecting wood members (reinforcing intersection joints). Versatile angles that are nailed to reinforce intersecting wood members.

Medium angles are designed for standardization and construction economies.

Product Data & Ordering Information:

Material	Structural Grade 50 Type H (ST50H), 50ksi (340 MPa)
Coating	G90 (Z275) hot-dipped galvanized coating (G185 available)
Thickness	12ga (97mil), 0.1017" Design thickness, 0.0966" Minimum thickness
Dimensions	3-7/32" x 3-1/16" x 1-1/2"
Packaging	25 pcs/ctn
Product weight	0.25 lb/ea



Code Approvals & Performance Standards

- [ASTM A653](#) Standard Specification for Steel Sheet, Zinc-Coated (Galvanized) or Zinc-Iron Alloy-Coated (Galvannealed) by the Hot-Dip Process
- [ASTM A1003](#) Standard Specification for Steel Sheet, Carbon, Metallic- and Nonmetallic-Coated for Cold-Formed Framing Members
- [ICC-ES ESR-5079](#) Evaluation report for clips, angles and hurricane ties
- [SDS For ASTM A1003 Steel Framing Products](#) For Interior Framing, Exterior Framing and Clips/Accessories



Sustainability Credits For more details and LEED letters contact Technical Services at 888-437-3244 or visit clarkdietrich.com/LEED.

- **LEED v4.1 MR Credit:** Environmental Product Declarations: EPD (1 point) - Sourcing of Raw Materials (up to 2 points) - Material Ingredients (1 point) - Construction and Demolition Waste Management (up to 2 points)
- **LEED v4 MR Credit:** Building Product Disclosure and Optimization: EPD (1 point) - Sourcing of Raw Materials (1 point) - Material Ingredients (1 point) - Construction and Demolition Waste Management (up to 2 points) - Innovation Credit (up to 2 points).

Product Code	Connection			Dimensions			Fasteners Scheduling			Load Dir.	Allowable Load (lbf)			
	Qty	Type	Gauge	L1	L2	W	Type	Plate Qty	Stud Qty		C _D =1.00	C _D =1.15	C _D =1.25	C _D =1.60
CDFA33	1	C-to-B	12	3-7/32	3-1/16	1-1/2	10d x 3.0	4	4	F ₁	580	580	580	580
										F ₂	255	255	255	255

For SI: 1 inch = 25.4 mm, 1 pound (lb) = 4.45 N

1 The tabulated allowable loads have been adjusted for the load duration factors, C_D, as shown, in accordance with the NDS. The tabulated allowable loads do not apply to loads of other load durations, and are not allowed to be adjusted for other load durations. See Sections 4.1 and 4.2 of ESR-5079 for additional design and installation requirements.

2 The tabulated allowable loads are for installations on wood members complying with Section 3.2.2 of the ESR-5079 report.

3 See images for hanger dimension definitions of W, L1 and L2.

4 Connection type: S-to-P = Stud-to-Plate, C-to-B = Column-to-Beam.

5 Refer to Section 3.2.3 of ESR-5079 for nail actual sizes and the required minimum physical properties. RHF

6 F₁ is the load parallel to the plate and F₂ is the load perpendicular to the plate.

Product Code	Connection			Dimensions			Fasteners Scheduling			Load Dir.	Allowable Load (lbf)			
	Qty	Type	Gauge	L1	L2	W	Type	Plate Qty	Stud Qty		C _D =1.00	C _D =1.15	C _D =1.25	C _D =1.60
CDFA33	1	C-to-B	12	3-7/32	3-1/16	1-1/2	#9-15 x 3.0	4	4	F ₁	530	530	530	530
										F ₂	290	290	290	290

For SI: 1 inch = 25.4 mm, 1 pound (lb) = 4.45 N

1 The tabulated allowable loads have been adjusted for the load duration factors, C_D, as shown, in accordance with the NDS. The tabulated allowable loads do not apply to loads of other load durations, and are not allowed to be adjusted for other load durations. See Sections 4.1 and 4.2 of ESR-5079 for additional design and installation requirements.

2 The tabulated allowable loads are for installations on wood members complying with Section 3.2.2 of the ESR-5079 report.

3 See images for hanger dimension definitions of W, L1 and L2.

4 Connection type: S-to-P = Stud-to-Plate, C-to-B = Column-to-Beam.

5 ITW Buildex Trugrip metal-to-wood screws. Refer to www.itwbuildex.com for the required physical properties.

6 F₁ is the load parallel to the beam and F₂ is the load perpendicular to the beam.