

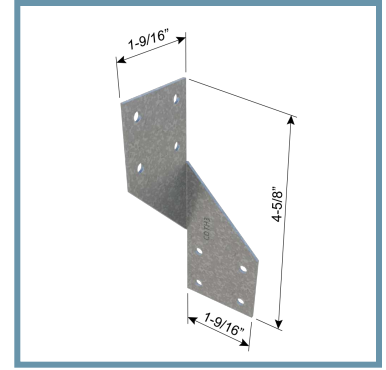
Hurricane Tie

CDHT3

Used as a connection between truss/rafters and walls to resist lateral and uplift conditions.

Product Data & Ordering Information:

Material	Structural Grade 50 Type H (ST50H), 50ksi (340 MPa)
Coating	G90 (Z275) hot-dipped galvanized coating (G185 available on CDHT2A & CDHT3 only)
Thickness	18ga (43mil), 0.0451" Design thickness, 0.0428" Minimum thickness
Dimensions	CDHT3 = 1-5/8" X 4-5/8"
Packaging	100 pcs/ctn
Product weight	0.10 lbs/ea



{ image:application:3 }

Code Approvals & Performance Standards

- [ASTM A653](#) Standard Specification for Steel Sheet, Zinc-Coated (Galvanized) or Zinc-Iron Alloy-Coated (Galvannealed) by the Hot-Dip Process
- [ASTM A1003](#) Standard Specification for Steel Sheet, Carbon, Metallic- and Nonmetallic-Coated for Cold-Formed Framing Members
- [IBC 2021](#) International Building Code
- [IRC 2021](#) International Residential Code
- [ICC-ES ESR-5079](#) Evaluation report for clips, angles and hurricane ties
- [SDS For ASTM A1003 Steel Framing Products](#) For Interior Framing, Exterior Framing and Clips/Accessories

Sustainability Credits For more details and LEED letters contact Technical Services at 888-437-3244 or visit clarkdietrich.com/LEED.

- **LEED v4.1 MR Credit:** Environmental Product Declarations: EPD (1 point) - Sourcing of Raw Materials (up to 2 points) - Material Ingredients (1 point) - Construction and Demolition Waste Management (up to 2 points)
- **LEED v4 MR Credit:** Building Product Disclosure and Optimization: EPD (1 point) - Sourcing of Raw Materials (1 point) - Material Ingredients (1 point) - Construction and Demolition Waste Management (up to 2 points) - Innovation Credit (up to 2 points).

Product Code	Gauge	Type	Fasteners Scheduling				Load Dir	Allowable Load (lbf)			
			Stud	Plate	Truss	Load		C _D =	C _D =	C _D =	C _D =
			Qty	Qty	Qty			1.00	1.15	1.25	1.60
CDHT3	18	8d x 2.5	4		4	F ₁	150	150	150	150	
CDHT3	18	8d x 2.5	4		4	F ₂	170	170	170	170	
CDHT3	18	8d x 2.5	4		4	Uplift	380	380	380	380	

Notes:

For SI: 1 inch = 25.4 mm, 1 pound (lb) = 4.45 N

1 The tabulated allowable loads have been adjusted for the load duration factors, C_D, as shown, in accordance with the NDS. The tabulated allowable loads do not apply to loads of other load durations, and are not allowed to be adjusted for other load durations. See Sections 4.1 and 4.2 of ESR-5079 for additional design and installation requirements.

2 The tabulated allowable loads are for installations on wood members complying with Section 3.2.1 of the ESR-5079 report. Wood members must also have a reference compressive perpendicular to grain design value, F_{c-perp}, of 625 psi (4.31 MPa) or greater.

3 Refer to images for product dimensions.

4 Refer to Section 3.2.3 of ESR-5079 for nail sizes and the required minimum physical properties.

5 ITW Buildex Trugrip metal-to-wood screws. Refer to www.itwbuildex.com for the required physical properties.

6 F₁ is the load parallel to truss or joist and F₂ is the load perpendicular to truss or joist.