

Truss and Rafters

05.40.00 (Cold-Formed Metal Framing)

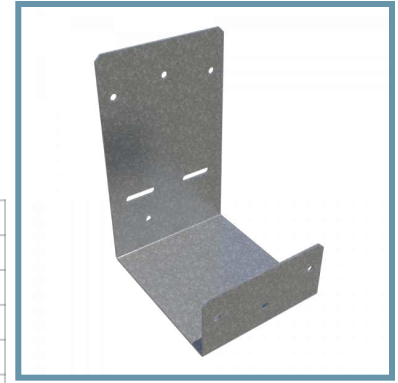
Load Share Clips

CDLSC

The CDLSC load share clip series is manufactured to transfer load between two truss or framing ply members made of solid sawn or structural composite lumber.

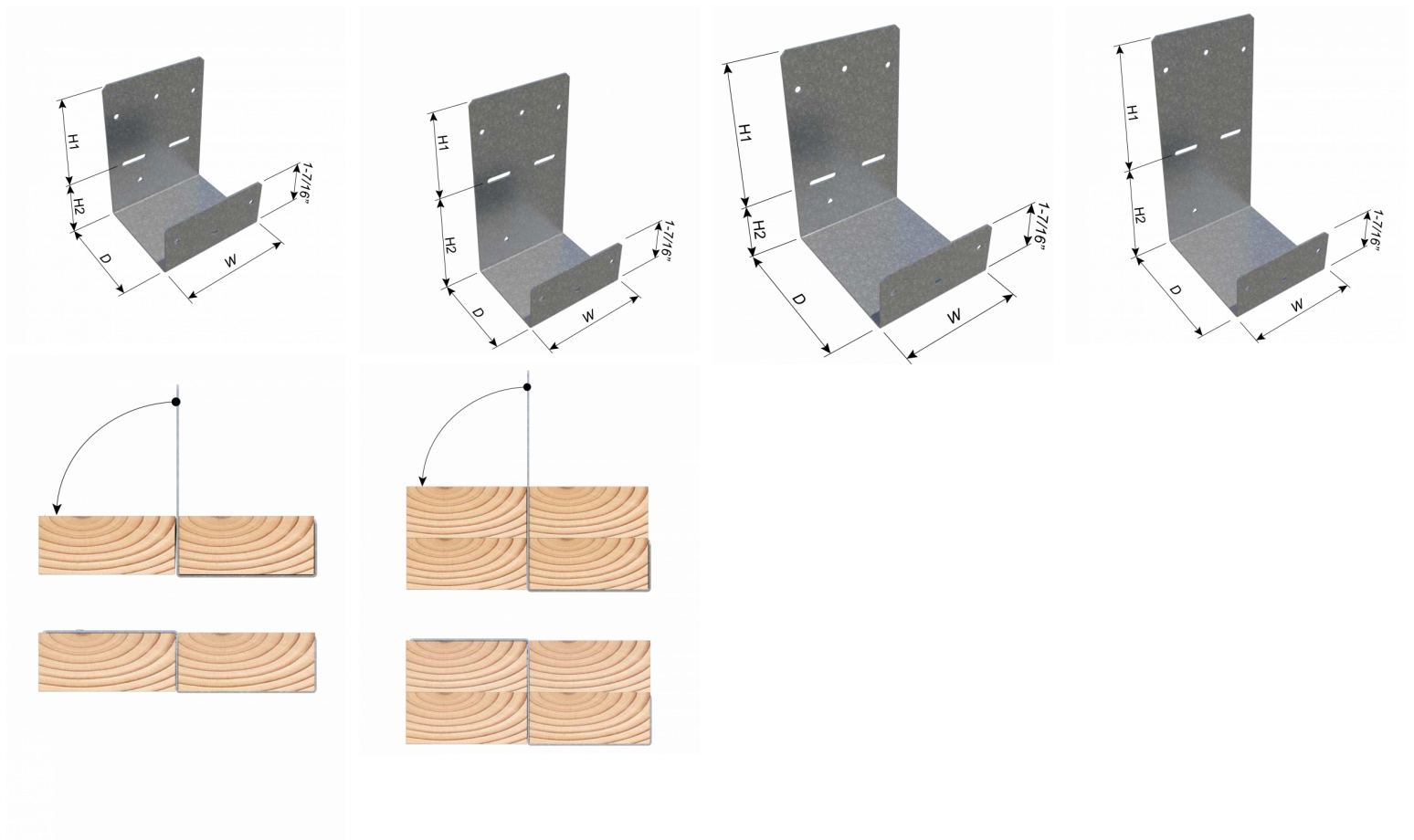
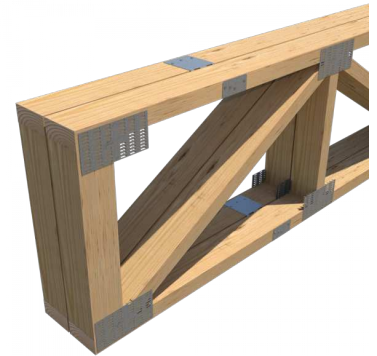
Product Data & Ordering Information:

Material	Structural Grade 50 Type H (ST50H), 50ksi (340 MPa)
Coating	G90 (Z275) hot-dipped galvanized coating
Thickness	18ga (43mil), 0.0451" Design thickness, 0.0428" Minimum thickness
Packaging	50 pcs/ctn
Product weight	CDLSC32=0.21 lbs/ea CDLSC32-2=0.36 lbs/ea CDLSC42=0.44 lbs/ea CDLSC42-2=0.51 lbs/ea



Code Approvals & Performance Standards

- [ASTM A653](#) Standard Specification for Steel Sheet, Zinc-Coated (Galvanized) or Zinc-Iron Alloy-Coated (Galvannealed) by the Hot-Dip Process
- [ASTM A1003](#) Standard Specification for Steel Sheet, Carbon, Metallic- and Nonmetallic-Coated for Cold-Formed Framing Members
- [IAPMO ER-0176](#) Evaluation Report for Wood Framing Hangers and Anchors
- [SDS For ASTM A1003 Steel Framing Products](#) For Interior Framing, Exterior Framing and Clips/Accessories



Truss and Rafters
05.40.00 (Cold-Formed Metal Framing)
Allowable Downward Loads (lbs)
Spruce Pine-Fir

Product Code	Overall Dimension (in)				Size	Fasteners		Spruce Pine-Fir (0.42 Specific Gravity)			
	Width	Height 1	Height 2	Depth		Quantity		Load Duration Factor			
						Supporting Member	Supported Member	1.00	1.15	1.25	1.60
CDLSC32	3	2-7/16	1-1/2	2-1/2	0.131" x 1.5"	3	3	565	565	565	565
CDLSC32-2	3	2-7/16	3	2-1/2	0.131" x 1.5"	3	3				
CDLSC42	3	3-7/16	1-1/2	3-1/2	0.131" x 1.5"	3	3				
CDLSC42-2	3	3-7/16	3	3-1/2	0.131" x 1.5"	3	3				

Douglas Fir-Larch

Product Code	Overall Dimension (in)				Size	Fasteners		Douglas Fir-Larch (0.50 Specific Gravity)			
	Width	Height 1	Height 2	Depth		Quantity		Load Duration Factor			
						Supporting Member	Supported Member	1.00	1.15	1.25	1.60
CDLSC32	3	2-7/16	1-1/2	2-1/2	0.131" x 1.5"	3	3	770	770	770	770
CDLSC32-2	3	2-7/16	3	2-1/2	0.131" x 1.5"	3	3				
CDLSC42	3	3-7/16	1-1/2	3-1/2	0.131" x 1.5"	3	3				
CDLSC42-2	3	3-7/16	3	3-1/2	0.131" x 1.5"	3	3				

Southern Pine

Product Code	Overall Dimension (in)				Size	Fasteners		Southern Pine (0.55 Specific Gravity)			
	Width	Height 1	Height 2	Depth		Quantity		Load Duration Factor			
						Supporting Member	Supported Member	1.00	1.15	1.25	1.60
CDLSC32	3	2-7/16	1-1/2	2-1/2	0.131" x 1.5"	3	3	900	900	900	900
CDLSC32-2	3	2-7/16	3	2-1/2	0.131" x 1.5"	3	3				
CDLSC42	3	3-7/16	1-1/2	3-1/2	0.131" x 1.5"	3	3				
CDLSC42-2	3	3-7/16	3	3-1/2	0.131" x 1.5"	3	3				

Notes:

- 1 Allowable load capacities based on the tabulated species and load duration factor.
- 2 Products shown in table are made of No. 18 gauge steel.

Sustainability Credits For more details and LEED letters contact Technical Services at 888-437-3244 or visit clarkdietrich.com/LEED.

- **LEED v4.1 MR Credit:** Environmental Product Declarations: EPD (1 point) - Sourcing of Raw Materials (up to 2 points) - Material Ingredients (1 point) - Construction and Demolition Waste Management (up to 2 points)
- **LEED v4 MR Credit:** Building Product Disclosure and Optimization: EPD (1 point) - Sourcing of Raw Materials (1 point) - Material Ingredients (1 point) - Construction and Demolition Waste Management (up to 2 points) - Innovation Credit (up to 2 points).