

Tie Plate Anchor Series

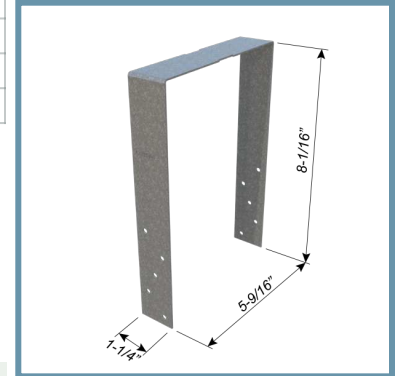
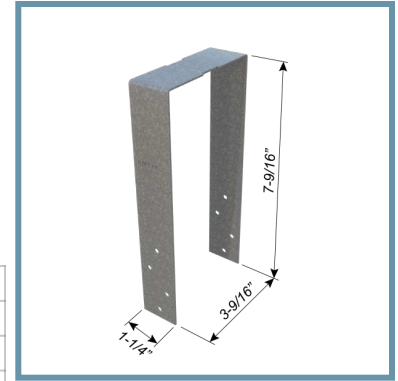
CDTPA

The CDTPA Anchor Series is manufactured to resist uplift of the top plate(s) of solid sawn or structural composite lumber wall members from solid sawn or structural composite lumber wall stud members.

CDTPA4 and CDTPA6 anchors resist upward load on nominal 2x4 and 2x6 respectively, solid sawn or structural composite lumber walls.

Product Data & Ordering Information:

Material	Structural Grade 50 Type H (ST50H), 50ksi (340 MPa)
Coating	G90 (Z275) hot-dipped galvanized coating
Thickness	20ga (33mil), 0.0346" Design thickness, 0.0329" Minimum thickness
Dimensions	CDTPA4 = 3-9/16" x 7-9/16" CDTPA6 = 5-9/16" x 8-1/16"
Packaging	CDTPA4 = 100 pcs/ctn CDTPA6 = 50 pcs/ctn
Product weight	CDTPA4 = 0.23 lb/ea CDTPA6 = 0.27 lb/ea

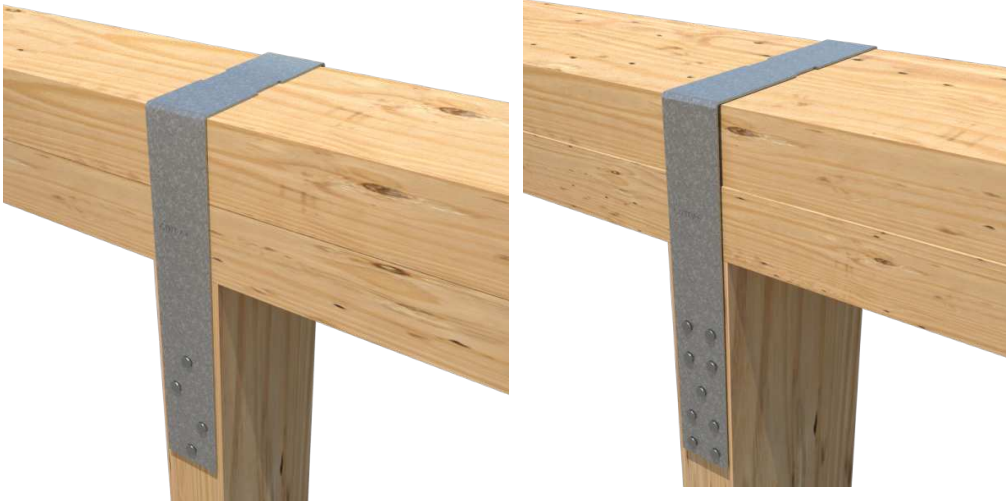


Code Approvals & Performance Standards

- [ASTM A653](#) Standard Specification for Steel Sheet, Zinc-Coated (Galvanized) or Zinc-Iron Alloy-Coated (Galvannealed) by the Hot-Dip Process
- [ASTM A1003](#) Standard Specification for Steel Sheet, Carbon, Metallic- and Nonmetallic-Coated for Cold-Formed Framing Members
- [IAPMO ER-0176](#) Evaluation Report for Wood Framing Hangers and Anchors
- [SDS For ASTM A1003 Steel Framing Products](#) For Interior Framing, Exterior Framing and Clips/Accessories

Sustainability Credits For more details and LEED letters contact Technical Services at 888-437-3244 or visit clarkdietrich.com/LEED.

- **LEED v4.1 MR Credit:** Environmental Product Declarations: EPD (1 point) - Sourcing of Raw Materials (up to 2 points) - Material Ingredients (1 point) - Construction and Demolition Waste Management (up to 2 points)
- **LEED v4 MR Credit:** Building Product Disclosure and Optimization: EPD (1 point) - Sourcing of Raw Materials (1 point) - Material Ingredients (1 point) - Construction and Demolition Waste Management (up to 2 points) - Innovation Credit (up to 2 points).



Allowable Upward Loads (lbs)

Product Code	Gauge	Overall Dimensions Width Height Depth			Fasteners (Quantity on Each Side of Stud) Size Qty.		Spruce Pine-Fir (0.42 Specific Gravity)				Douglas Fir-Larch (0.50 Specific Gravity)				Southern Pine (0.55 Specific Gravity)			
							Load Duration Factor				Load Duration Factor				Load Duration Factor			
							1.00	1.15	1.25	1.60	1.00	1.15	1.25	1.60	1.00	1.15	1.25	1.60
CDTPA44	20	3-9/16	7-9/16	1-1/4	0.131" x 2.5"	2	160	185	200	235	190	215	235	235	205	235	235	235
					0.148" x 3.0"	2	155	175	190	245	225	260	275	275	245	275	275	275
					0.131" x 2.5"	4	325	330	330	330	330	330	330	330	330	330	330	330
					0.148" x 3.0"	4	305	350	385	410	410	410	410	410	410	410	410	410
					0.131" x 2.5"	6	485	555	605	775	565	650	705	900	610	700	765	905
					0.148" x 3.0"	6	460	530	575	735	680	785	850	965	740	850	925	965
					0.131" x 2.5"	8	645	740	805	895	750	865	895	895	815	895	895	895
					0.148" x 3.0"	8	615	705	765	960	910	1045	1135	1170	985	1135	1170	1170
CDTPA6	20	5-9/16	8-1/16	1-1/4	0.131" x 2.5"	2	160	185	200	240	190	215	235	240	205	235	240	240
					0.148" x 3.0"	2	155	175	190	245	225	260	285	345	245	285	310	345
					0.131" x 2.5"	4	325	370	405	515	375	430	470	525	405	470	510	525
					0.148" x 3.0"	4	305	350	385	490	455	520	545	545	495	545	545	545
					0.131" x 2.5"	6	485	555	605	750	565	650	705	750	610	700	750	750
					0.148" x 3.0"	6	460	530	575	735	680	785	805	805	740	805	805	805
					0.131" x 2.5"	8	645	740	805	940	750	865	940	940	815	935	940	940
					0.148" x 3.0"	8	615	705	765	980	910	1010	1010	1010	985	1010	1010	1010
					0.131" x 2.5"	10	805	925	985	985	940	985	985	985	985	985	985	985
0.148" x 3.0"	10	765	880	955	1130	1130	1130	1130	1130	1130	1130	1130	1130					

Notes:

1. Allowable load capacities are based on the tabulated species and load duration factor.
2. Products shown in table are made of No. 20 gauge steel.