

## Furring / Hat Channel

Product category 1-1/2" Furring / Hat Channel - 20ga STR (33mils)  
 Product name 150F125-33 (33ksi, CP60)  
 Coating CP60 (G90 available)

### Geometric Properties

Depth 1.500 in  
 Width 1.250 in  
 Design Thickness 0.0346 in  
 Min. steel thickness 0.0329 in  
 Yield stress, Fy 33ksi  
 Ultimate, Fu 45ksi

### Gross Section Properties of Full Section, Strong Axis

Cross sectional area (A) 0.174 in<sup>(^2)</sup>  
 Member weight per foot of length 0.590 lb/ft  
 Moment of inertia (Ix) 0.056 in<sup>(^4)</sup>  
 Radius of gyration (Rx) 0.566 in  
 Gross moment of inertia (Iy) 0.093 in<sup>(^4)</sup>  
 Gross radius of gyration (Ry) 0.733 in

### Effective Section Properties, Strong Axis

Moment of inertia for deflection (Ix) 0.056 in<sup>(^4)</sup>  
 Section modulus (Sx) 0.071 in<sup>(^3)</sup>  
 Allowable bending moment (Ma) 117.31 ft-lb  
 Allowable shear force (Va) 474 lb

### Product Data & Ordering Information:

Stock length 10'-0" and 12'-0" long pieces  
 Packaging 10 pieces per bundle - 440 pieces per pallet  
 Packaging weight 61 lbs/bundle

### ASTM & Code Standards:

- AISI North American Specification [NASPEC] S100-12
- Structural furring is produced to meet or exceed ASTM C955
- Galvanized sheet steel meets or exceeds requirements of ASTM A1003
- For installation & storage information refer to ASTM C1007
- SDS & Product Certification Information is available at [www.clarkdietrich.com/SupportDocs](http://www.clarkdietrich.com/SupportDocs)

### Furring / Hat Channel Allowable Ceiling Spans (Deflection: L/360)

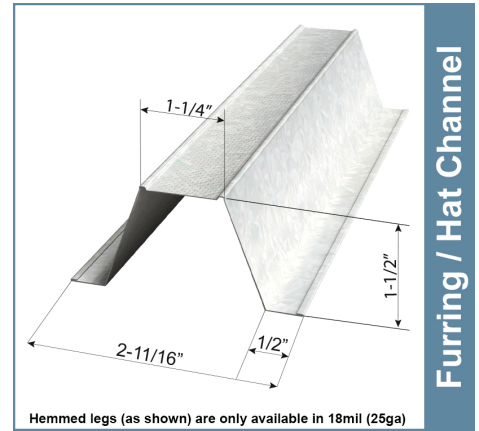
Dead Load Hat Spacing o.c.	4 psf 12"	4 psf 16"	4 psf 24"	6 psf 12"	6 psf 16"	6 psf 24"	13 psf 12"	13 psf 16"	13 psf 24"
Single Span	8'-6"	7'-8"	6'-9"	7'-5"	6'-9"	5'-10"	5'-9"	5'-2"	4'-6"
Multiple Span	10'-6"	9'-6"	8'-4"	9'-2"	8'-4"	7'-3"	7'-1"	6'-5"	5'-7"

For more ceiling span tables and table notes see:  
<https://www.clarkdietrich.com/products/drywall-framing/furring-channel-hat-channel>

### Sustainability Credits:

For more details and LEED letters contact Technical Services at 888-437-3244 or visit [www.clarkdietrich.com/LEED](http://www.clarkdietrich.com/LEED)  
**LEED v4 MR Credit** -- Building Product Disclosure and Optimization: EPD (1 point) - Sourcing of Raw Materials (1 point) - Material Ingredients (1 point) - Construction and Demolition Waste Management (up to 2 points) - Innovation Credit (up to 2 points).  
**LEED 2009 Credit MR 2 & MR 4** -- ClarkDietrich's steel products are 100% recyclable and have a national average recycled content of 34.2% (19.8% post-consumer and 14.4% pre-consumer). If seeking a higher number to meet Credit MR 5, please contact us at ([info@clarkdietrich.com](mailto:info@clarkdietrich.com) / 888-437-3244)

## 05.40.00 (Cold-Formed Metal Framing)



Hemmed legs (as shown) are only available in 18mil (25ga)

Furring / Hat Channel

### Used in framing applications:

- Furring for walls & ceilings
- Furring out masonry walls
- Framing for drop ceilings assemblies

### Project Information

Name:  
 Address:

### Contractor Information

Name:  
 Contact:  
 Phone:  
 Fax:

### Architect Information

Name:  
 Contact:  
 Phone:  
 Fax: