

2" 25ga Area Separation Wall Assemblies

ClarkDietrich 3-hour H-Stud fire-rated assembly

ClarkDietrich H-Studs are 2" wide vertical members used to secure two 1" thick pieces of gypsum shaft liner in Area Separation Wall assemblies. H-Studs are inserted into C-Runners and slid over gypsum panel liner edges. The process is repeated until the desired wall length is achieved. Once the wall is plumbed it is secured at the floor, roof and truss line with aluminum breakaway clips.

ClarkDietrich aluminum breakaway clips are used as part of the H-Stud Area Separation Wall assembly and are designed to melt and break away when exposed to fire. The clips are used to hold the Area Separation Wall assembly in place at the floor, roof, and truss line between adjacent units.

3 Hour Design Assemblies:

UL Design No. W454 (National Gypsum Co.)

(2) Layers of 1" thick gypsum board liner panels fit into H-Studs w/ (1) layer of 5/8" thick gypsum board on each side of wall assembly. Standard 2-1/2" long Aluminum Breakaway Clips can be used to secure assembly.

GA File No. ASW 2600 (USG)

(2) Layers of 1" thick gypsum board liner panels fit into H-Studs w/ 2" mineral fiber insulation on each side of wall assembly. Extra-long 4" Aluminum Breakaway Clips will need to be used to secure assembly allowing for the 2" mineral insulation standoff.

Reference design assemblies and gypsum board manufacturer for details of the wall system.

Product Data & Ordering Information:

Member	Minimum Thickness	Design Thickness
H-Stud & C-Runner	18mils, 25ga, 0.0179"	0.0188"

Member	Product Material Thickness
AB	2" x 2-1/2" x 2" Aluminum Clip
AB63	2" x 2-1/2" x 2" Aluminum Clip
AB45	2" x 4-1/2" x 2" Aluminum Clip
AB40	2" x 4" x 2" Aluminum Clip
AB35	2" x 3-1/2" x 2" Aluminum Clip
AB30	2" x 3" x 2" Aluminum Clip

All material is produced with a coating of: G40 (G60 available).
 Other custom breakaway clip lengths available.

ASTM & Code Standards:

- Area Separation products are produced to meet or exceed ASTM C645
- Galvanized sheet steel meets or exceeds requirements of ASTM A1003
- UL Design No. W453 and W454, GA File No. ASW 2600

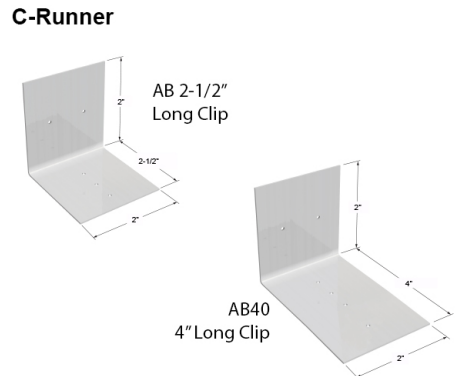
Sustainability Credits:

For more details and LEED letters contact Technical Services at 888-437-3244 or visit www.clarkdietrich.com/LEED

LEED v4 MR Credit -- Building Product Disclosure and Optimization: EPD (1 point) - Sourcing of Raw Materials (1 point) - Material Ingredients (1 point) - Construction and Demolition Waste Management (up to 2 points) - Innovation Credit (up to 2 points).

LEED 2009 Credit MR 2 & MR 4 -- ClarkDietrich's steel products are 100% recyclable and have a national average recycled content of 34.2% (19.8% post-consumer and 14.4% pre-consumer). If seeking a higher number to meet Credit MR 5, please contact us at (info@clarkdietrich.com / 888-437-3244)

09.22.16 (Non-Structural Metal Framing)



Aluminum Breakaway Clip

Project Information

Name:
Address:

Contractor Information

Name:
Contact:
Phone:
Fax:

Architect Information

Name:
Contact:
Phone:
Fax: