

#66X Casing Bead (XXCB)

Expanded flange casing bead or Plaster Stop

Used as a stucco/plaster stop to provide a screed edge and protective finish trim while terminating plaster or thin stone in a clear straight line at doors, windows, or other openings. Also, recommended as an edge divider between plaster and other dissimilar materials. Not recommended at base of wall in lieu of a FHA-7 Foundation Weep Screed. Available with or without weep holes. Available in zinc alloy.

Product Data & Ordering Information:

Material: 26 Gauge, G60 Hot-Dipped galvanized steel
Also available in 99.97% pure Zinc, compliant with ASTM B-69
Dimensions: 3/8" to 1-1/4" Grounds, 10' lengths

Ground	Length	Pcs./Ctn.	Ft./Ctn.	Wt./Ctn.	Ctn./Skid
3/8"	10'	30	300	46 lbs.	20
1/2"	10'	30	300	46 lbs.	20
5/8"	10'	30	300	49 lbs.	20
3/4"	10'	30	300	49 lbs.	20
7/8"	10'	30	300	54 lbs.	20
1"	10'	30	300	56 lbs.	20
1-1/4"	10'	30	300	60 lbs.	20

ASTM & Code Standards:

- ASTM C841 (interior), C1063 (exterior), CE 240.01, ASTM C926, ML/SFA-920, the International Code Council IBC and IRC.
- All Expanded Metal Lath Accessories are fabricated from prime galvanized steel G60 zinc coating by the hot dipped method, conforming to steel and coating specification ASTM A653/A653M or zinc alloy meeting ASTM B69 as required in ASTM C1063 and C847.
- SDS & Product Certification Information is available at www.clarkdietrich.com/SupportDocs
- For installation and placement instructions refer to ASTM C1063, C841 and C926.
- Thin stone ASTM C1780.

Storage:

All stored materials shall be kept dry. Materials shall be stacked off the ground, supported on a level platform, and protected from the weather and surface contamination conforming to ASTM C1063.

Limitations:

Galvanized steel products should not be used with magnesium oxychloride cement stucco or Portland cement stucco containing calcium chloride additives. The selection of the appropriate type of material for accessories shall be determined by the surrounding climatic and environmental conditions such as salt air, industrial pollution and high humidity.

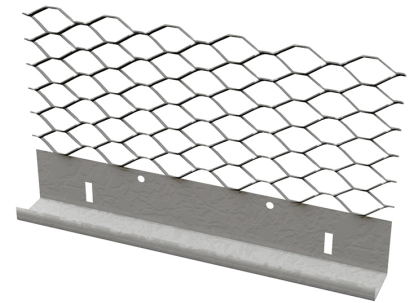
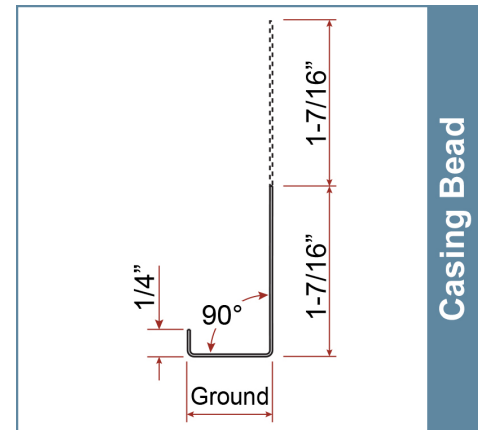
Sustainability Credits:

For more details and LEED letters contact Technical Services at 888-437-3244 or visit www.clarkdietrich.com/LEED

LEED v4 MR Credit -- Building Product Disclosure and Optimization: EPD (1 point) - Sourcing of Raw Materials (1 point) - Material Ingredients (1 point) - Construction and Demolition Waste Management (up to 2 points) - Innovation Credit (up to 2 points).

LEED 2009 Credit MR 2 & MR 4 -- ClarkDietrich's steel products are 100% recyclable and have a national average recycled content of 34.2% (19.8% post-consumer and 14.4% pre-consumer). If seeking a higher number to meet Credit MR 5, please contact us at (info@clarkdietrich.com / 888-437-3244)

09.22.36 (Metal Lath)



Project Information

Name:
Address:

Contractor Information

Name:
Contact:
Phone:
Fax:

Architect Information

Name:
Contact:
Phone:
Fax: