

## Bullnose Splayed Corner Bead (CBBW)

### Metal Corner Bead

Splayed or off-angle bullnose is used to create a smooth rounded look to 135 degree corners. Bullnose adds contemporary styling and a sense of openness to any room. Bullnose bead is nailed, screwed or stapled in place and finished with joint compound. Splayed Bullnose is available with a galvanized finish conforming to ASTM C1047.

#### Product Data & Ordering Information

Material: 0.013 min thickness, galvanized coating  
Dimensions: 1-1/4" leg x 1-1/4" leg x 3/4" Radius

Size (Radius)	Length	Wt./Ctn.	Pcs./Ctn.
3/4"	8'	52 lbs	50
3/4"	9'	53 lbs	45
3/4"	10'	52 lbs	40

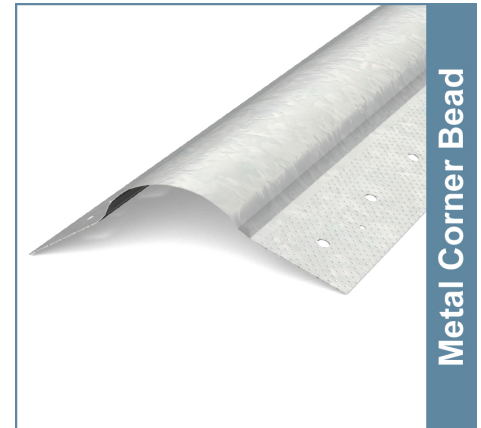
#### ASTM & Code Standards

- ASTM C1047
- SDS & Product Certification Information is available at [www.clarkdietrich.com/SupportDocs](http://www.clarkdietrich.com/SupportDocs)

#### Storage

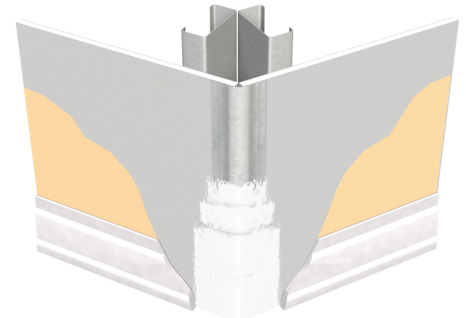
All stored materials shall be kept dry. Materials shall be stacked off the ground, supported on a level platform, and protected from the weather.

#### 09.22.00 (Support for Plaster & Gypsum Board)



Metal Corner Bead

- Rugged steel construction
- Galvanized coating for corrosion protection and durability
- Knurled flanges and hole pattern allow for superior compound adhesion



#### Sustainability Credits:

For more details and LEED letters contact Technical Services at 888-437-3244 or visit [www.clarkdietrich.com/LEED](http://www.clarkdietrich.com/LEED)

**LEED v4 MR Credit** -- Building Product Disclosure and Optimization: EPD (1 point) - Sourcing of Raw Materials (1 point) - Material Ingredients (1 point) - Construction and Demolition Waste Management (up to 2 points) - Innovation Credit (up to 2 points).

**LEED 2009 Credit MR 2 & MR 4** -- ClarkDietrich's steel products are 100% recyclable and have a minimum recycled content of 34.2% (19.8% post-consumer and 14.4% pre-consumer). If seeking a higher number to meet Credit MR 5, please contact us at ([info@clarkdietrich.com](mailto:info@clarkdietrich.com) / 888-437-3244)

Metal-CBBW © 10/2017 ClarkDietrich Building Systems

#### Project Information

Name:  
Address:

#### Contractor Information

Name:  
Contact:  
Phone:  
Fax:

#### Architect Information

Name:  
Contact:  
Phone:  
Fax: