

RC-1 Pro™ Resilient Channel (RCUR)

Single leg resilient channel

Made of 18mil (25 gauge) steel (RC-1 Pro) is one of the most effective, low-cost methods of improving sound transmission loss through wood and steel frame partitions. It is used as a cross-furring member for resilient attachment of gypsum. Knurled face makes wallboard application easier.

Resilient channel should be installed perpendicular to the framing members with the attachment flange of the RC-1 Pro installed along the bottom edge. Channel is pre-punched for screw attachments to wood or steel framing members. Nails are not recommended for attaching RC-1 Pro resilient channel to framing members.

Product Data & Ordering Information:

Material:	Grade 33ksi min. yield strength
Coating:	G40EQ (G40 or G60 available)
Thickness:	18mil (25ga), 0.0188" Design Thickness, 0.0179" Min. Thickness
Dimensions:	2" x 1/2" Deep
Stock Lengths:	12'-0" Long
Packaging Weight:	162 lbs/1000 ft.

Code Approvals & Performance Standards

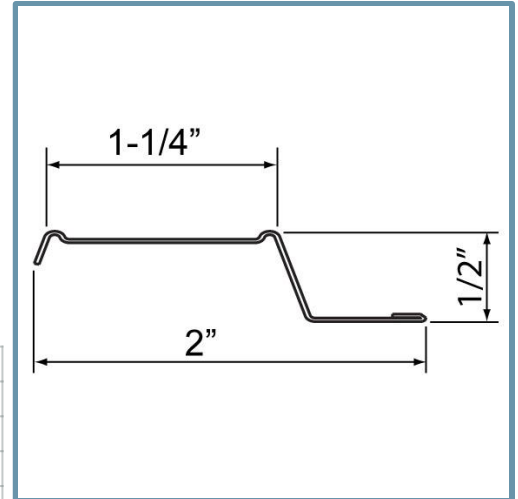
- [AISI S220-20](#) North American Standard for Cold-Formed Steel Framing - Nonstructural Members
 - (Compliant to ASTM C645, but IBC replaced with AISI S220 in IBC 2015)
- [ASTM A1003](#) Standard Specification for Steel Sheet, Carbon, Metallic- and Nonmetallic-Coated for Cold-Formed Framing Members
- [ASTM C754](#) Standard Specification for Installation of Steel Framing Members to Receive Screw-Attached Gypsum Panel Products
- [UL File Number R19331](#) Full list of ProSTUD, Spazzer, Resilient Channel, Sound Clip and Barrier Mesh UL design assemblies
- [SDS For ASTM A1003 Steel Framing Products](#) For Interior Framing, Exterior Framing and Clips/Accessories

Related Accessories:

- [RC-2 Pro™ double leg resilient channel](#)

Sustainability Credits For more details and LEED letters contact Technical Services at 888-437-3244 or visit clarkdietrich.com/LEED.

- **LEED v4.1 MR Credit:** Environmental Product Declarations: EPD (1 point) - Sourcing of Raw Materials (up to 2 points) - Material Ingredients (1 point) - Construction and Demolition Waste Management (up to 2 points)
- **LEED v4 MR Credit:** Building Product Disclosure and Optimization: EPD (1 point) - Sourcing of Raw Materials (1 point) - Material Ingredients (1 point) - Construction and Demolition Waste Management (up to 2 points) - Innovation Credit (up to 2 points).



- Reduces sound transmissions
- Pre-punched for screws
- Spacing and configuration of pre-punched openings may vary per geographical region.

