

RC-2 ProPlus™ Resilient Channel

Heavy-duty double-leg resilient channel

Made of 22mil steel to provide a stiffer resilient channel (RC-2 ProPlus) is one of the most effective, low-cost methods of improving sound transmission loss through wood and steel frame partitions and ceilings. It is used as a cross-furring member for resilient attachment of gypsum. Knurled face makes wallboard application easier.

RC-2 ProPlus heavy-duty double leg resilient channel is typically used for ceiling applications with multiple layers of gypsum board. Resilient channel should be installed perpendicular to the framing members. Channel is pre-punched for screw attachments to wood or steel framing members.

Product Data & Ordering Information:

Material: Grade 33ksi min. yield strength
Coating: G40EQ (G40 or G60 available)
Thickness: 22mils
Dimensions: 2-1/2" x 1/2" Deep
Stock lengths: 12'-0"
Packaging weight: 325 lbs/1000 ft.

ASTM & Code Standards:

- Resilient channel is produced to meet or exceed ASTM C645
- Galvanized sheet steel meets or exceeds requirements of ASTM A924 & A1003
- For installation & storage information refer to ASTM C754
- SDS & Product Certification Information is available at www.clarkdietrich.com/SupportDocs

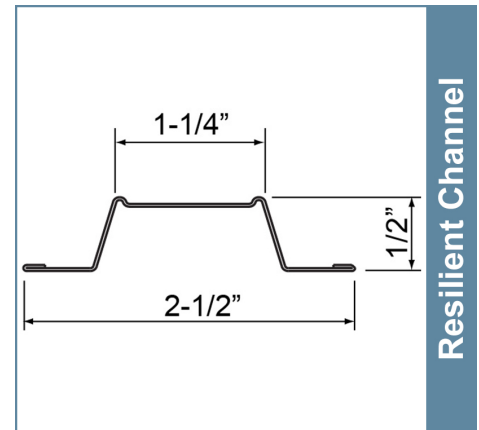
RC-2 Pro STC Sound Assemblies:

Contact ClarkDietrich Technical Services at 888-437-3244 for STC values on this system.

Related Accessories:

- RC-1 ProPlus™ single-leg resilient channel

09.22.16 (Non-Structural Metal Framing)



- Reduces sound transmissions
- Pre-punched for screws



Sustainability Credits:

For more details and LEED letters contact Technical Services at 888-437-3244 or visit www.clarkdietrich.com/LEED

LEED v4 MR Credit -- Building Product Disclosure and Optimization: EPD (1 point) - Sourcing of Raw Materials (1 point) - Material Ingredients (1 point) - Construction and Demolition Waste Management (up to 2 points) - Innovation Credit (up to 2 points).

LEED 2009 Credit MR 2 & MR 4 -- ClarkDietrich's steel products are 100% recyclable and have a national average recycled content of 34.2% (19.8% post-consumer and 14.4% pre-consumer). If seeking a higher number to meet Credit MR 5, please contact us at (info@clarkdietrich.com / 888-437-3244)

Project Information

Name:
Address:

Contractor Information

Name:
Contact:
Phone:
Fax:

Architect Information

Name:
Contact:
Phone:
Fax: