

Extended SwiftClip™ LE Series™ (LE6824)

68mils (14ga) Support Clip x 24" Long

ClarkDietrich's Extended SwiftClip LE-Series rigid framing clip is used to attach exterior wall studs to the structure of the building. Designed to resist horizontal and vertical loads, the extended rigid clips install easily with screws, powder-actuated fasteners, or welds. This clip is ideal for all medium and large standoff conditions. These clips are unpunched as the specific application will determine the appropriate number and placement of fasteners.

Extended SwiftClip LE-Series are attached to cold-formed steel framing members using #10 minimum self drilling screws. Clips can also be welded to the cold-formed steel framing. Connections to the building frame can be made with powder-actuated fasteners, drill-in concrete anchors or welding. The appropriate type, number and placement of fasteners need to be determined by a design professional and engineer of record.

Product Data & Ordering Information:

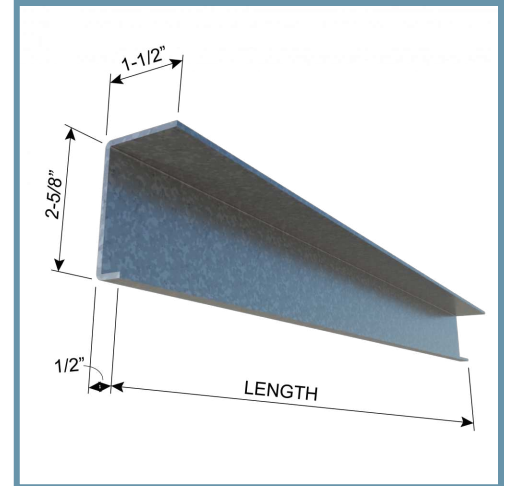
Material:	Structural Grade 50 Type H (ST50H), 50ksi (340 MPa)
Coating:	G90 (Z275) hot-dipped galvanized coating
Thickness:	68mils (14ga) 0.0713" Design thickness 0.0677" Minimum thickness
Dimensions:	1-1/2" x 2-5/8" x 24" (38.1mm x 66.7mm x 610mm)
Packaging:	10 pieces per box
Product Weight:	2.54 lb / piece

Code Approvals & Performance Standards

- [ASTM A653](#) Standard Specification for Steel Sheet, Zinc-Coated (Galvanized) or Zinc-Iron Alloy-Coated (Galvannealed) by the Hot-Dip Process
- [ASTM A1003](#) Standard Specification for Steel Sheet, Carbon, Metallic- and Nonmetallic-Coated for Cold-Formed Framing Members
- [SDS For ASTM A1003 Steel Framing Products](#) For Interior Framing, Exterior Framing and Clips/Accessories

Sustainability Credits For more details and LEED letters contact Technical Services at 888-437-3244 or visit clarkdietrich.com/LEED.

- **LEED v4.1 MR Credit:** Environmental Product Declarations: EPD (1 point) - Sourcing of Raw Materials (up to 2 points) - Material Ingredients (1 point) - Construction and Demolition Waste Management (up to 2 points)
- **LEED v4 MR Credit:** Building Product Disclosure and Optimization: EPD (1 point) - Sourcing of Raw Materials (1 point) - Material Ingredients (1 point) - Construction and Demolition Waste Management (up to 2 points) - Innovation Credit (up to 2 points).



- 1-1/2" x 2-5/8" + 1/2" return legs
- Lengths Available: 24", 30" & 36"

