

2" J-Weep Low-Back (JWLB/JCLB)

Used as a casing stop bead with stucco, stone & EIFS systems

2" J-Weep Low-Back (2 inch back flange) is commonly used as a plaster stop at the top of doors and windows over traditional head flashings. J-Weep Low-Back is nail, screw or staple-attached to the frame or sheathing, then foam insulation, cement board or metal lath can be installed over it. In any case, the protruding ridge of the metal must extend beyond the plane of overlaid materials to serve as a ground for the stucco or E.I.F.S. application. Installed in conjunction with 1" rigid insulation associated with one-coat plaster stucco systems, the 1-3/8" ground provides proper depth for plaster keying. Galvanized for corrosion protection. Available with (JWLB) or without (JCLB) weep holes.

2" J-Weep should not be used as a foundation weep screed for three-coat stucco applications. This casing or plaster stop bead should only be used on approved one-coat systems.

The International Building Code (IBC)* requires that all weep screeds have a 3-1/2" nailing flange, weep holes and a minimum thickness of 26-gauge steel. This product does not conform to code-required work if used as a foundation weep.

Product Data & Ordering Information:

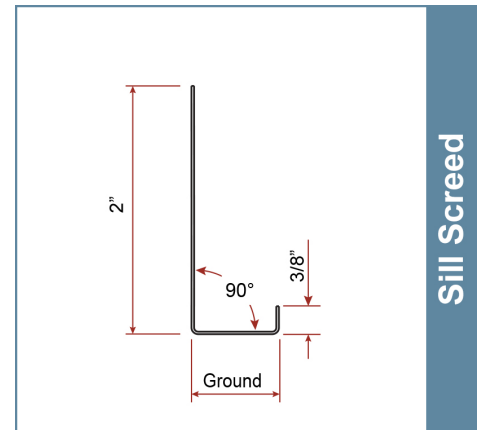
Material: 0.0172" base steel, 26 Gauge, G-60 Galvanized Steel
Dimensions: 2" x Ground Size x 10' Long
3/8" weep holes spaced at 3.5" o.c. along the ground

Grounds	Depth	Length	Lbs./Ft.	Pcs./Ctn.
1/2"	2"	10'	.16 lbs.	10
3/4"	2"	10'	.18 lbs.	10
1-3/8"	2"	10'	.22 lbs.	10

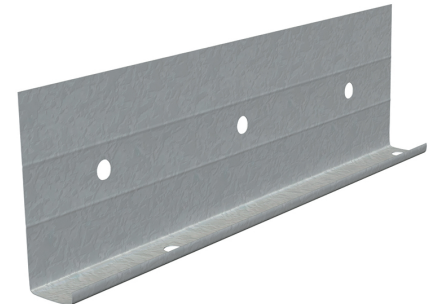
ASTM & Code Standards:

- Material: ASTM C1063
- Installation: ASTM C1780 and EMLA-920-09
- SDS & Product Certification Information is available at www.clarkdietrich.com/SupportDocs

09.22.36 (Metal Lath)



- Provides straight-edge stops for applied plaster stucco and E.I.F.S.
- Offers exacting grounds and protective weeps
- Resists corrosion
- Can be used for thin stone



Sustainability Credits:

For more details and LEED letters contact Technical Services at 888-437-3244 or visit www.clarkdietrich.com/LEED

LEED v4 MR Credit -- Building Product Disclosure and Optimization: EPD (1 point) - Sourcing of Raw Materials (1 point) - Material Ingredients (1 point) - Construction and Demolition Waste Management (up to 2 points) - Innovation Credit (up to 2 points).

LEED 2009 Credit MR 2 & MR 4 -- ClarkDietrich's steel products are 100% recyclable and have a national average recycled content of 34.2% (19.8% post-consumer and 14.4% pre-consumer). If seeking a higher number to meet Credit MR 5, please contact us at (info@clarkdietrich.com / 888-437-3244)

Project Information

Name:
Address:

Contractor Information

Name:
Contact:
Phone:
Fax:

Architect Information

Name:
Contact:
Phone:
Fax: