

EasyClip™ QuickTwist™ Web Stiffener (QTWS) 3-1/2" wide web stiffener 12GA

EasyClip QuickTwist Web Stiffeners are used to provide reinforcement of joist webs to prevent crippling. Web reinforcement is often required by design to enhance the load capacity of joists. The unique design of this web stiffener allows the installer to insert the stiffener on the inside of the joist after the joist is installed. This stiffener eliminates the need to pre-insert traditional web stiffeners prior to joist installation. The one-piece assembly is easily rotated in-place for a tight fit.

For allowable web crippling loads see www.clarkdietrich.com.

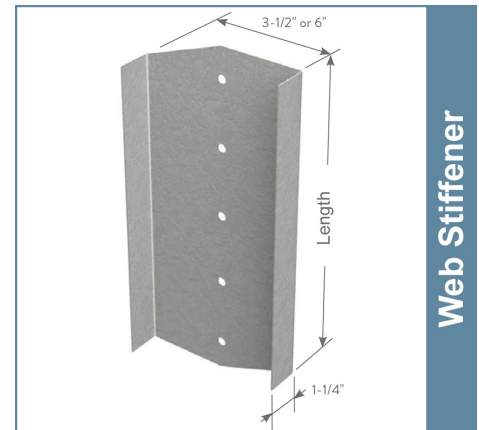
Product Data & Ordering Information:

Material:	All Structural Material: Grade 50ksi min. yield strength, G90 coating
Thickness:	12ga (97mil), 0.1017" Design thickness, 0.0966" Min. thickness
Dimensions:	3-1/2" web width x 1-1/4" legs (6" wide stiffeners also available)
Lengths:	6", 7-1/4", 8", 9-1/4", 10", 11-1/4", 12" and 14" long
Packaging:	Dependent on order quantity.
Weights:	6" = 0.99 lbs, 7-1/4" = 1.20 lbs, 8" = 1.32 lbs, 9-1/4" = 1.53 lbs 10" = 1.65 lbs, 11-1/4" = 1.86 lbs, 12" = 1.99 lbs, 14" = 2.34 lbs

ASTM & Code Standards:

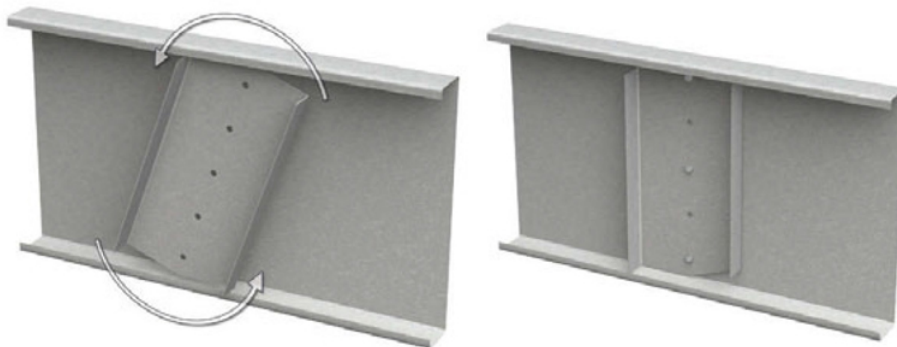
- Structural framing is produced to meet or exceed ASTM C955
- Sheet steel meets or exceeds mechanical and chemical requirements of ASTM A1003
- SDS & Product Certification Information is available at www.clarkdietrich.com

05.40.00 (Cold-Formed Metal Framing)



Web Stiffener

- Simple, post installation assembly
- Easily rotated in-place for a tight fit
- Pre-punched for easy installation of fasteners
- Solid 12 gauge construction
- One-piece assembly



Sustainability Credits:

For more details and LEED letters contact Technical Services at 888-437-3244 or visit www.clarkdietrich.com/LEED

LEED v4 MR Credit -- Building Product Disclosure and Optimization: EPD (1 point) - Sourcing of Raw Materials (1 point) - Material Ingredients (1 point) - Construction and Demolition Waste Management (up to 2 points) - Innovation Credit (up to 2 points).

LEED 2009 Credit MR 2 & MR 4 -- ClarkDietrich's steel products are 100% recyclable and have a national average recycled content of 34.2% (19.8% post-consumer and 14.4% pre-consumer). If seeking a higher number to meet Credit MR 5, please contact us at (info@clarkdietrich.com / 888-437-3244)

Project Information

Name:
Address:

Contractor Information

Name:
Contact:
Phone:
Fax:

Architect Information

Name:
Contact:
Phone:
Fax: