

Vinyl Bullnose Splayed (VBSB)

Vinyl Corner Bead

Vinyl bullnose splayed corner bead is used to finish off-angle interior corners from 120 - 135° when a rounded bullnose look is desired. Bullnose bead provides an architecturally attractive, contemporary and open feel to any room. This durable trim product is dent resistant, rust-proof and easily finished. Multiple elongated perforations along both flanges enhance joint compound bond. Available in 3/4" and 1-1/2" radius.

Product Data & Ordering Information:

Material: 0.028" PVC (Polyvinyl Chloride)
Dimension: 3/4" & 1-1/2" Radius

Size (Radius)	Length	Wt./Ctn.	Pcs./Ctn.
3/4"	8'	17 lbs	35
3/4"	10'	21 lbs	35
1-1/2"	8'	24 lbs	30
1-1/2"	10'	30 lbs	30

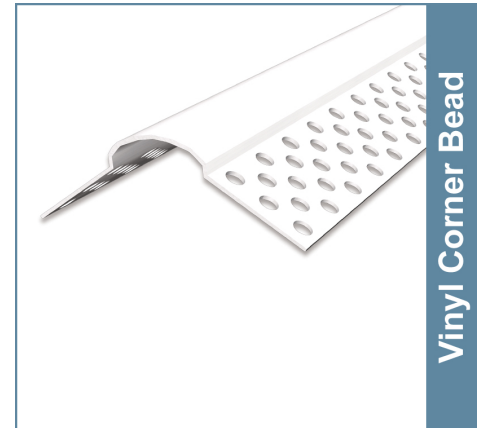
ASTM & Code Standards:

- ASTM C1047 - Standard Specification for Accessories for Gypsum Wallboard and Gypsum Veneer Base
- ASTM D3678 Class 2 materials
- Installation: ASTM C840 & C841 (interior finishes)
- SDS & Product Certification Information is available at www.clarkdietrich.com/SupportDocs

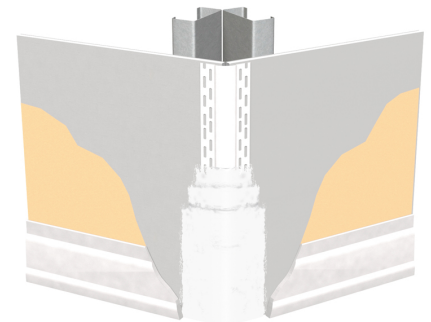
Storage:

All stored materials shall be kept dry. Materials shall be stacked off the ground, supported on a level platform, and protected from the weather.

09.22.00 (Support for Plaster & Gypsum Board)



- Rust proof and dent resistant
- Multiple perforations enhance joint compound bond
- Flexibility allows snug fit on unusual outside corner angles
- Easily cut with snips, utility knives or scissors



Project Information

Name:
Address:

Contractor Information

Name:
Contact:
Phone:
Fax:

Architect Information

Name:
Contact:
Phone:
Fax: