

FHA-7 Weep Sill Screed

Exterior foundation weep (sill) screed

The FHA-7 is for hard-coat stucco, thin-veneer stone, and 1-coat stucco over foam applications. Installed at the juncture of the sill and the exterior concrete foundation, it allows trapped moisture or water to drain to the exterior of the building.

The FHA-7 provides straight edge stops for applied plaster stucco and E.I.F.S. (Exterior Insulation Finishing Systems) with exacting grounds and protective weeps.

The #7 style screed is manufactured in compliance with ASTM standards and has the minimum requirement of 26-gauge, G60 galvanized steel and a 3-1/2" solid nailing flange. A pure zinc alloy version (ASTM B69) is available upon request.

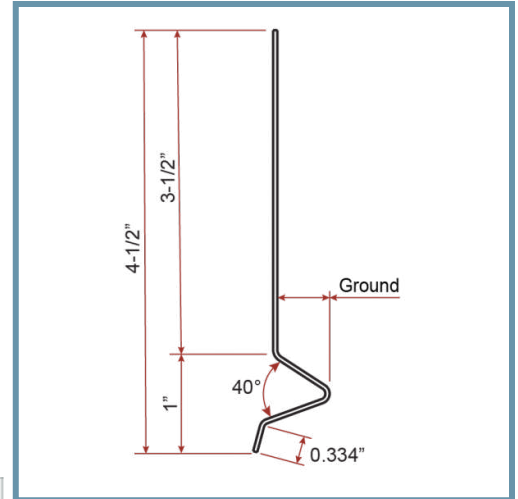
Product Data & Ordering Information:

Material: 26 Gauge, G60 Hot-Dipped Galvanized Steel.

(Pure Zinc Alloy available upon request and priced accordingly.)

Dimensions: 3-1/2" Flange x 10' Lengths

Grounds	Flange	Length	Pcs./Bdl.
1/2", 5/8", 3/4", 7/8", 1-3/8"	3-1/2"	10'	10



Code Approvals & Performance Standards

- [ASTM A653](#) Standard Specification for Steel Sheet, Zinc-Coated (Galvanized) or Zinc-Iron Alloy-Coated (Galvannealed) by the Hot-Dip Process
- [ASTM C1861](#) Standard Specification for Lathing and Furring Accessories, and Fasteners, for Interior and Exterior Portland Cement-Based Plaster
- [SDS For ASTM A653 Steel Finishing Products](#) For Interior Finishing and Exterior Finishing

Storage:

All stored materials shall be kept dry. Materials shall be stacked off the ground, supported on a level platform, and protected from the weather and surface contamination conforming to ASTM C1063 and C1780.

Limitations:

The selection of the appropriate type of material for accessories shall be determined by the surrounding climatic and environmental conditions such as salt air, industrial pollution and high humidity.

Related Accessories:

- #36 Foundation Sill Screed

